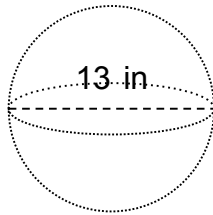




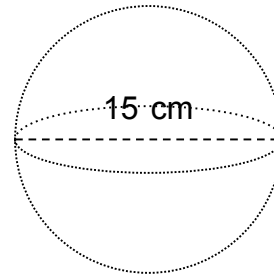
Name: _____

Calculate the Volume

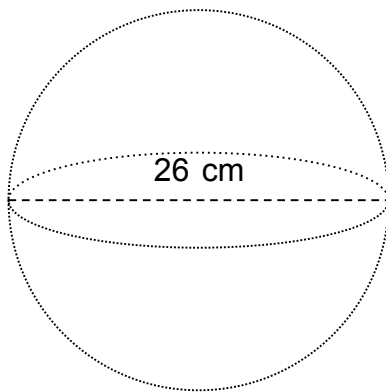
1.



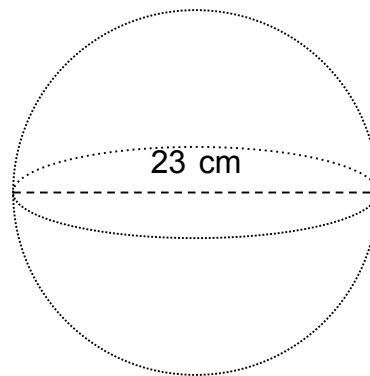
2.



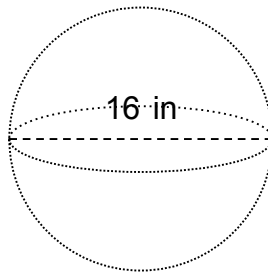
3.



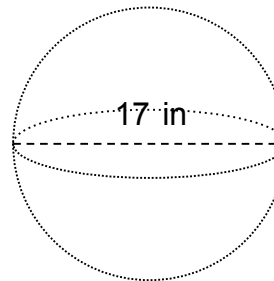
4.



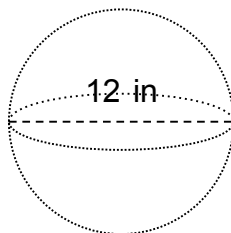
5.



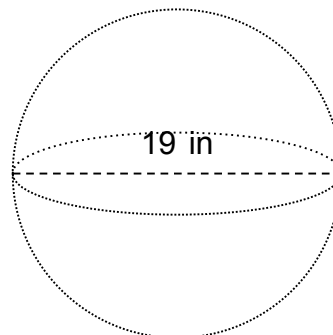
6.



7.



8.

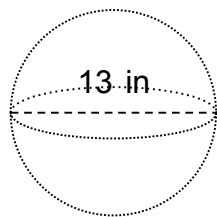




Name: _____

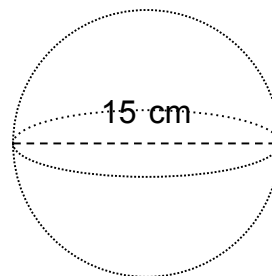
Calculate the Volume

1.



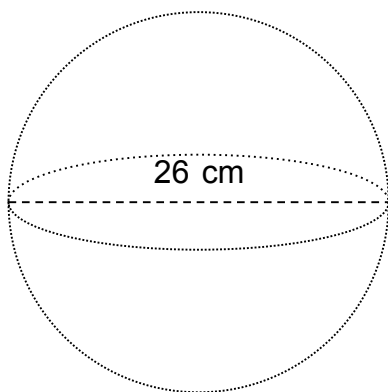
$$V = 1,150 \text{ in}^3$$

2.



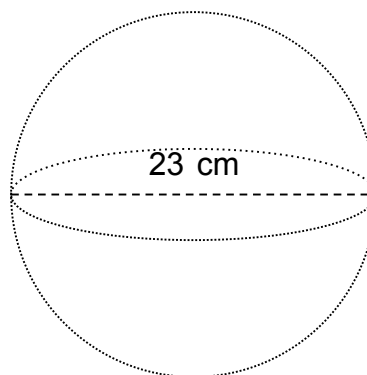
$$V = 1,767 \text{ cm}^3$$

3.



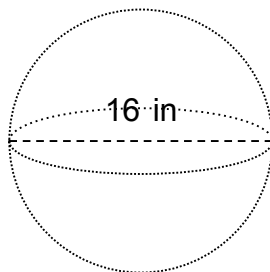
$$V = 9,203 \text{ cm}^3$$

4.



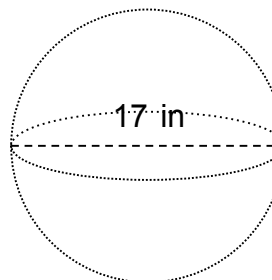
$$V = 6,371 \text{ cm}^3$$

5.



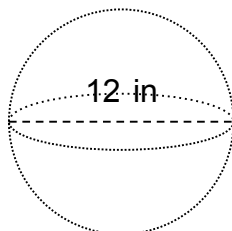
$$V = 2,145 \text{ in}^3$$

6.



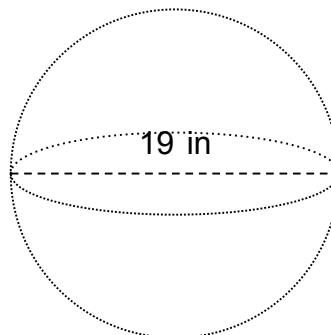
$$V = 2,572 \text{ in}^3$$

7.



$$V = 905 \text{ in}^3$$

8.



$$V = 3,591 \text{ in}^3$$