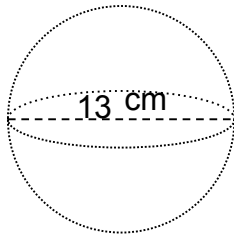




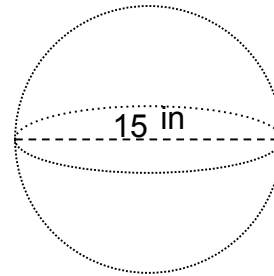
Name: \_\_\_\_\_

# Calculate the Volume

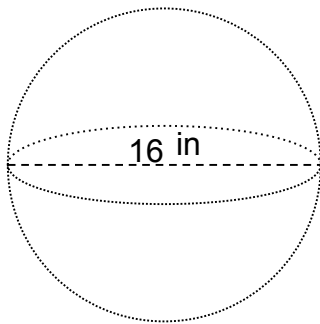
1.



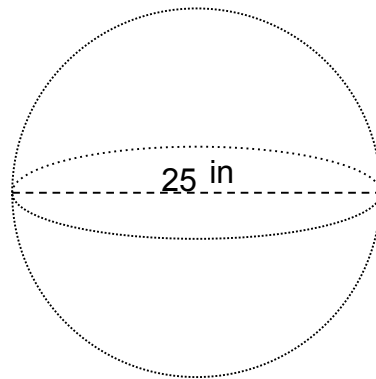
2.



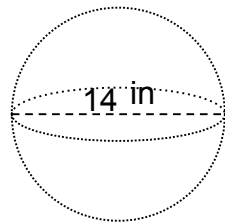
3.



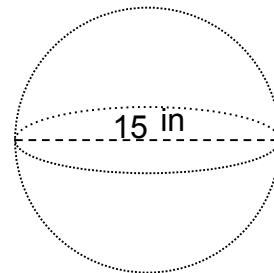
4.



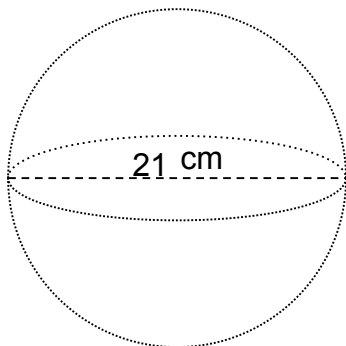
5.



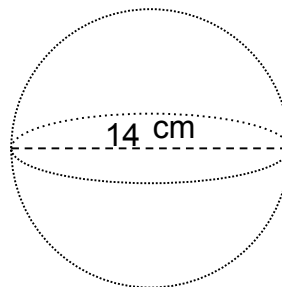
6.



7.



8.

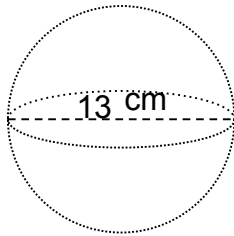




Name: \_\_\_\_\_

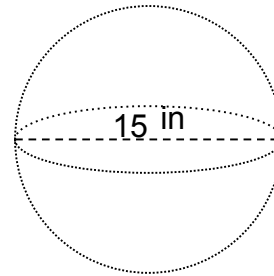
# Calculate the Volume

1.



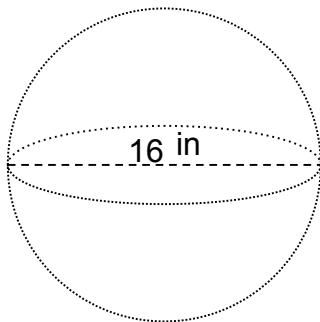
$$V = 1,150 \text{ cm}^3$$

2.



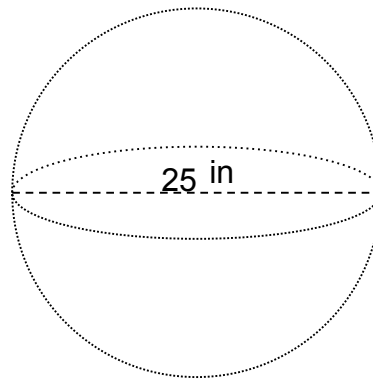
$$V = 1,767 \text{ in}^3$$

3.



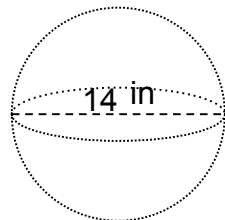
$$V = 2,145 \text{ in}^3$$

4.



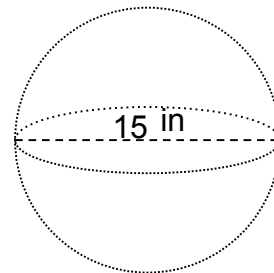
$$V = 8,181 \text{ in}^3$$

5.



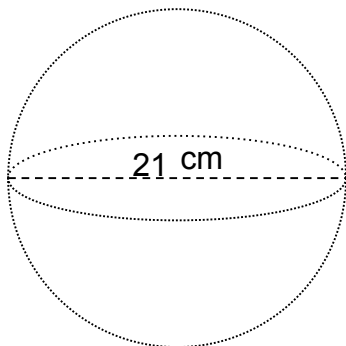
$$V = 1,437 \text{ in}^3$$

6.



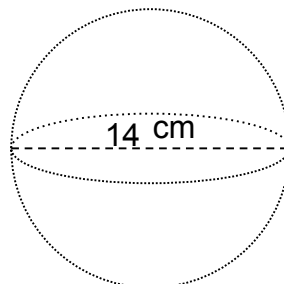
$$V = 1,767 \text{ in}^3$$

7.



$$V = 4,849 \text{ cm}^3$$

8.



$$V = 1,437 \text{ cm}^3$$