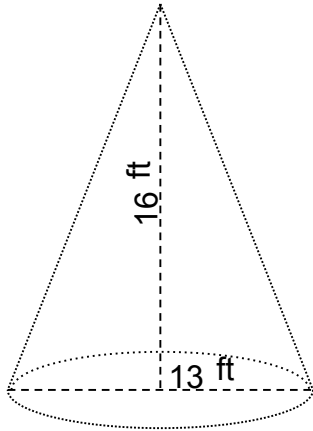




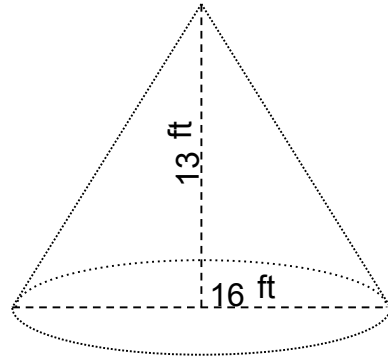
Name: \_\_\_\_\_

# Calculate the Volume

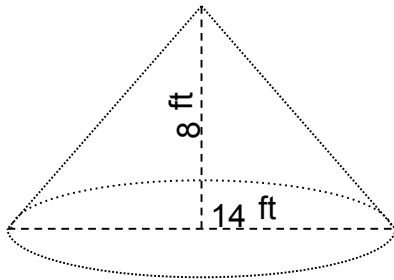
1.



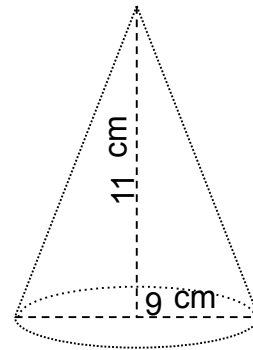
2.



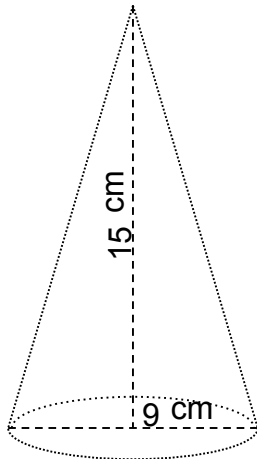
3.



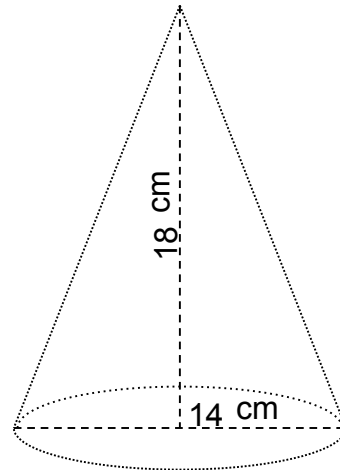
4.



5.



6.

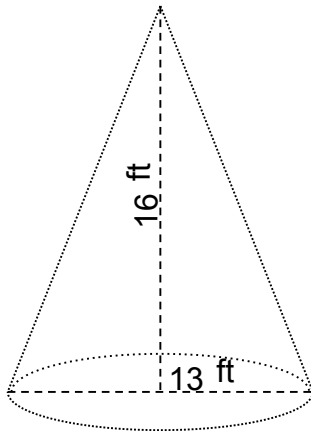




Name: \_\_\_\_\_

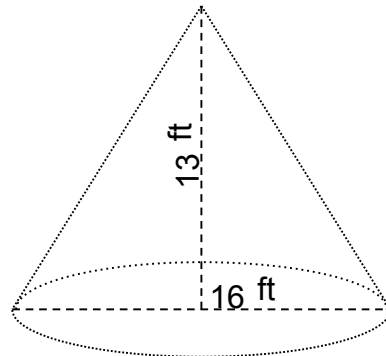
# Calculate the Volume

1.



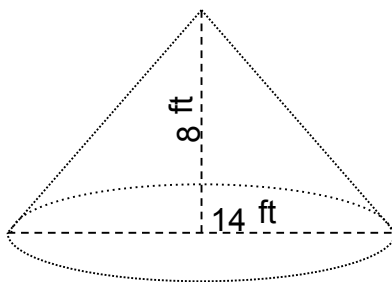
$$V = 708 \text{ ft}^3$$

2.



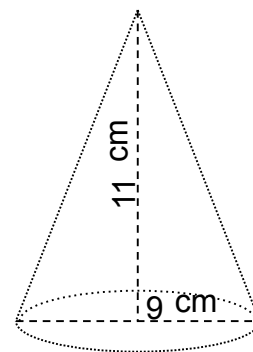
$$V = 871 \text{ ft}^3$$

3.



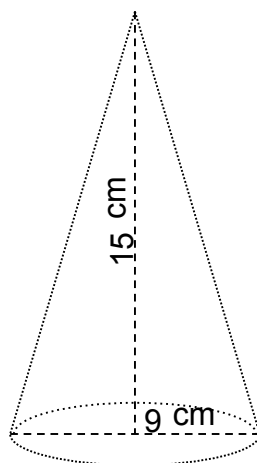
$$V = 411 \text{ ft}^3$$

4.



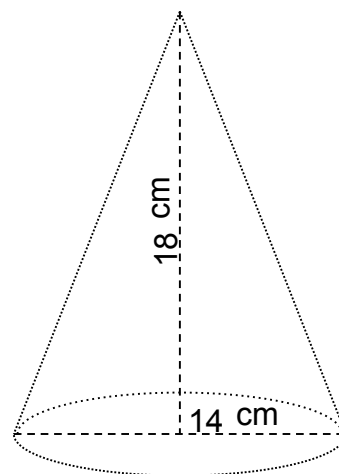
$$V = 233 \text{ cm}^3$$

5.



$$V = 318 \text{ cm}^3$$

6.



$$V = 924 \text{ cm}^3$$