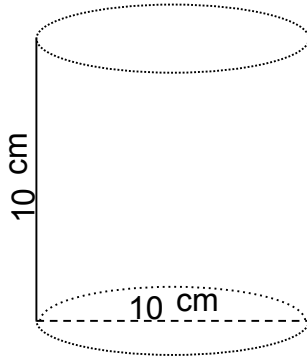




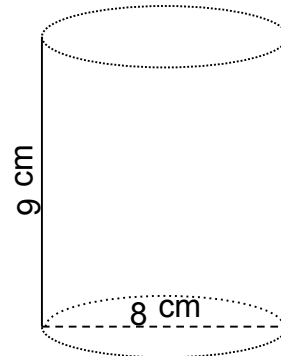
Name: _____

Calculate the Volume

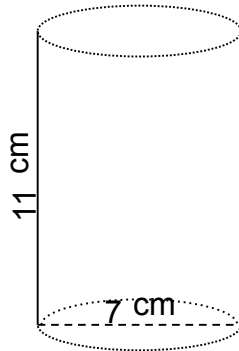
1.



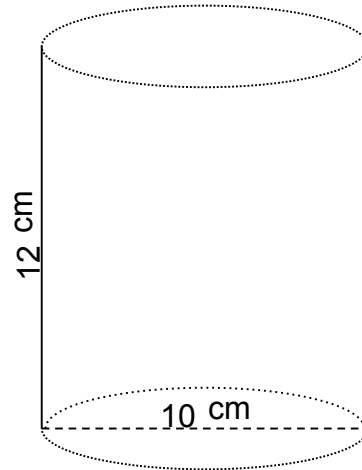
2.



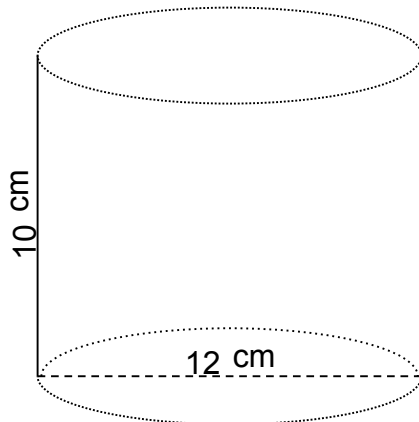
3.



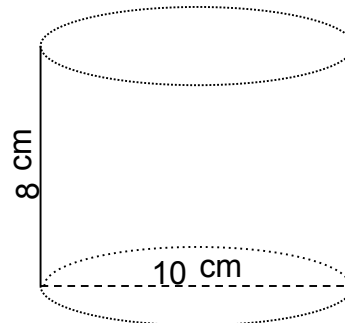
4.



5.



6.

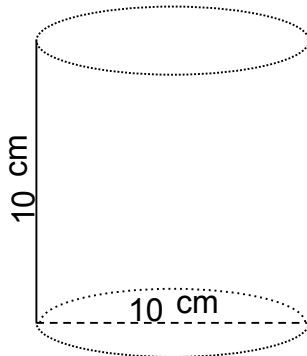




Name: _____

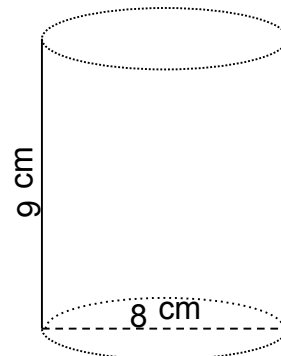
Calculate the Volume

1.



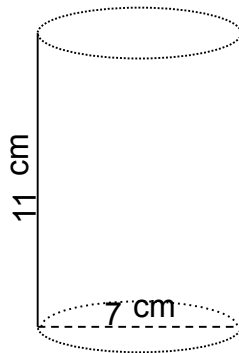
$$V = 785.40 \text{ cm}^3$$

2.



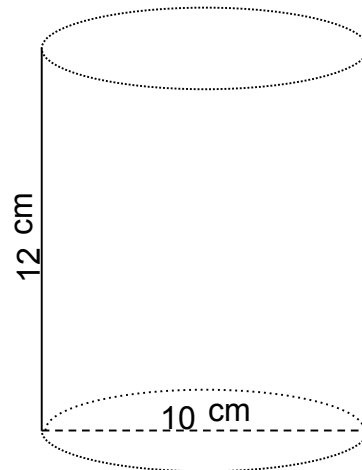
$$V = 452.39 \text{ cm}^3$$

3.



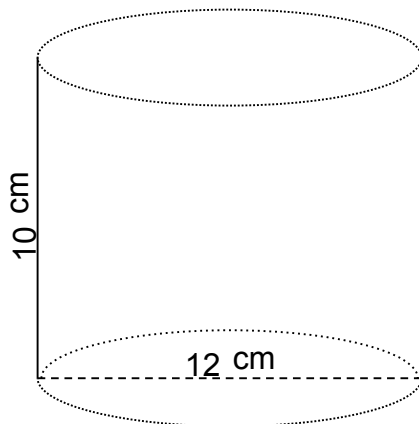
$$V = 423.33 \text{ cm}^3$$

4.



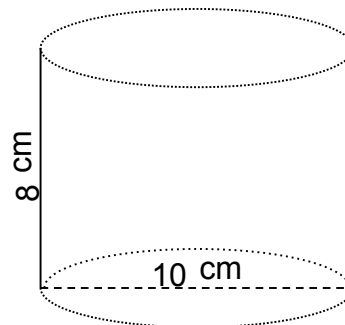
$$V = 942.48 \text{ cm}^3$$

5.



$$V = 1,130.97 \text{ cm}^3$$

6.



$$V = 628.32 \text{ cm}^3$$