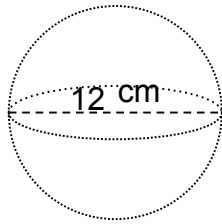




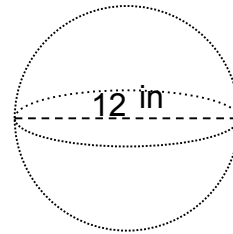
Name: _____

Calculate the Volume

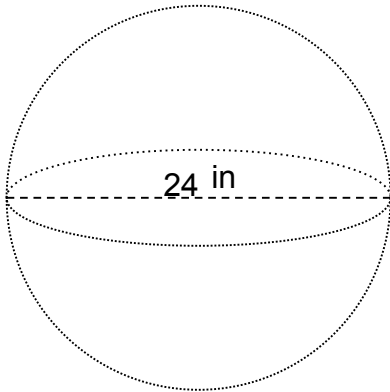
1.



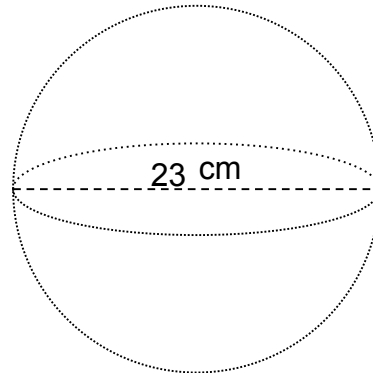
2.



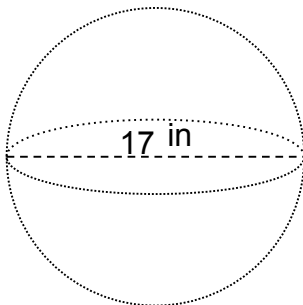
3.



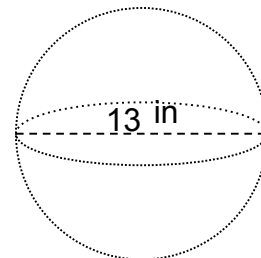
4.



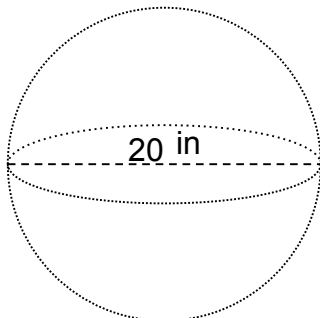
5.



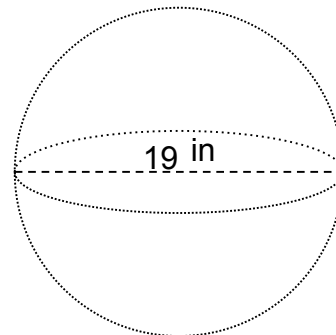
6.



7.



8.

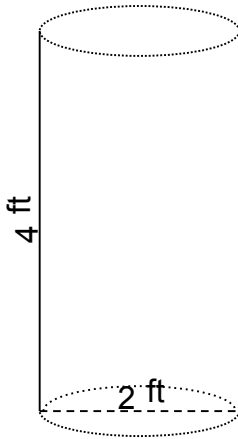




Name: _____

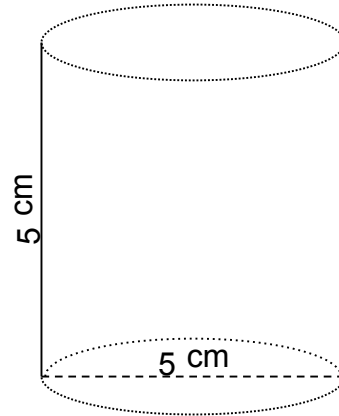
Calculate the Volume

1.



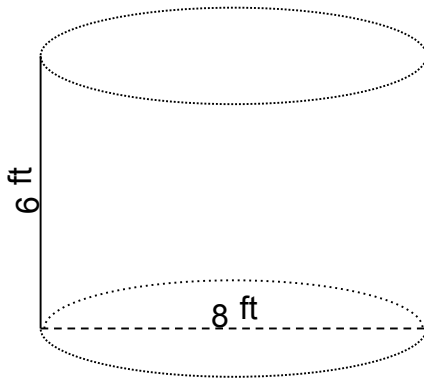
$$V = 12.57 \text{ ft}^3$$

2.



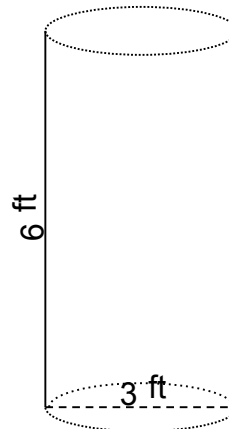
$$V = 98.17 \text{ cm}^3$$

3.



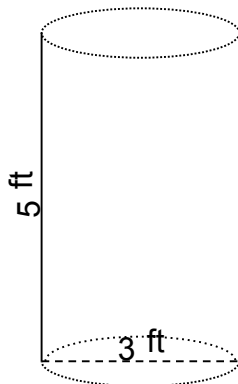
$$V = 301.59 \text{ ft}^3$$

4.



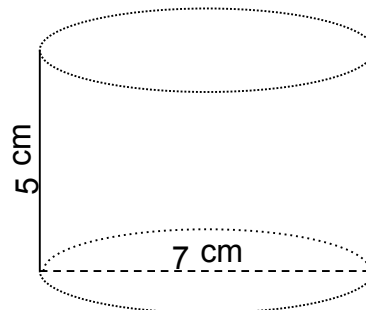
$$V = 42.41 \text{ ft}^3$$

5.



$$V = 35.34 \text{ ft}^3$$

6.



$$V = 192.42 \text{ cm}^3$$