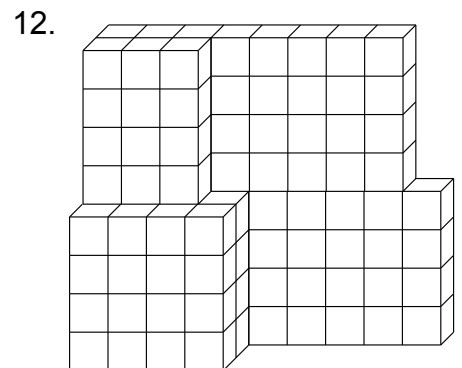
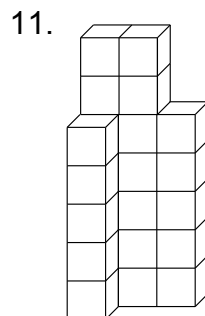
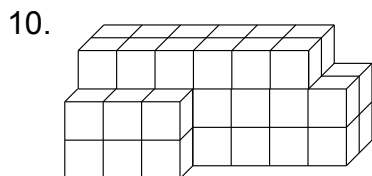
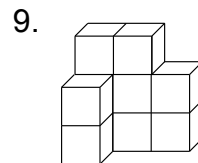
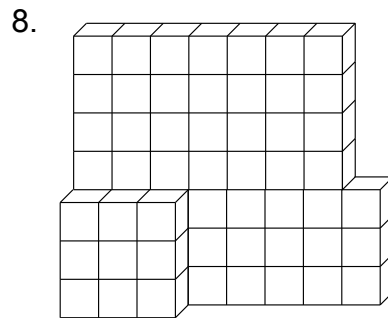
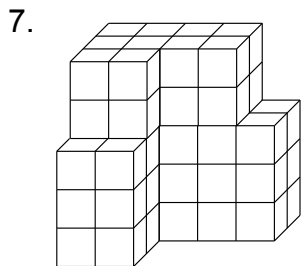
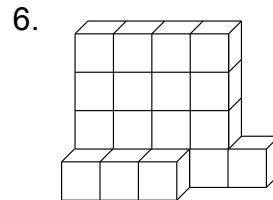
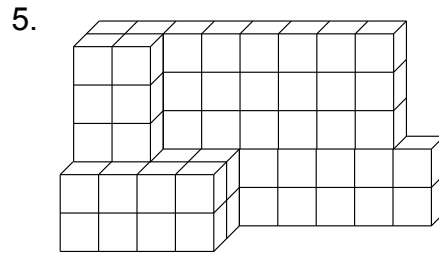
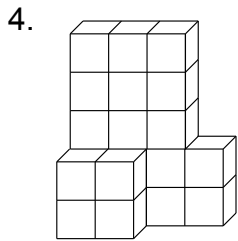
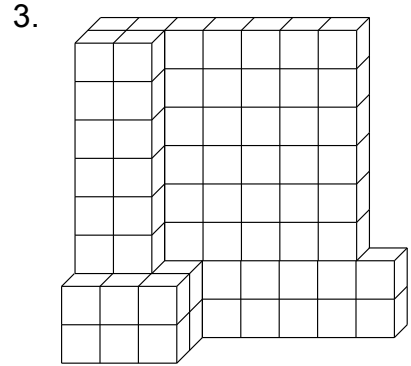
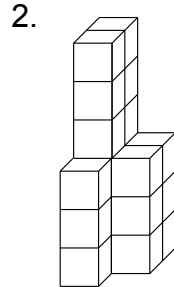
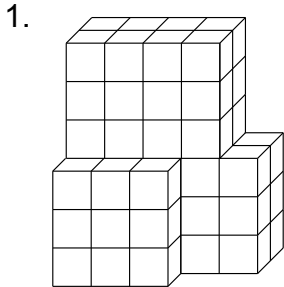
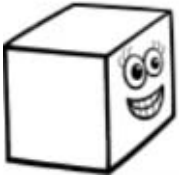


Name: _____

What is the total number of cubes for each shape?

Determine the total number of cubes and print the number beside each question.

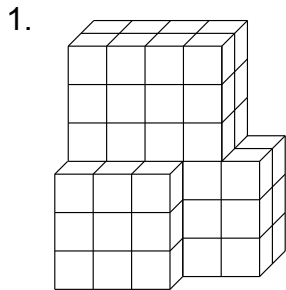




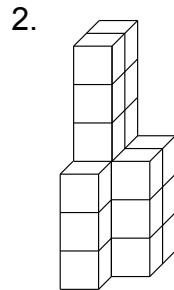
Name: _____

What is the total number of cubes for each shape?

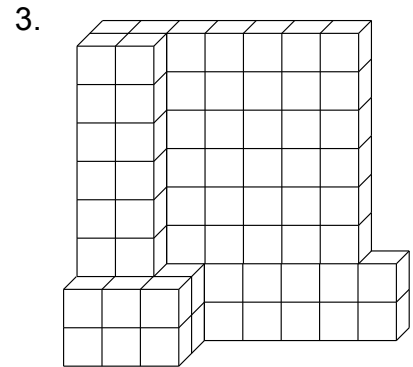
Determine the total number of cubes and print the number beside each question.



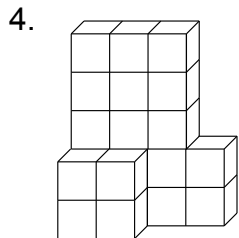
63 cubic units



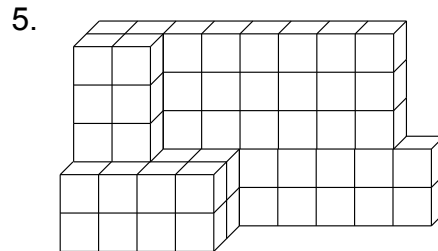
21 cubic units



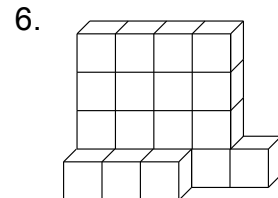
82 cubic units



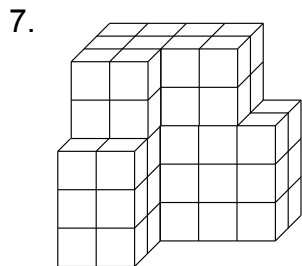
21 cubic units



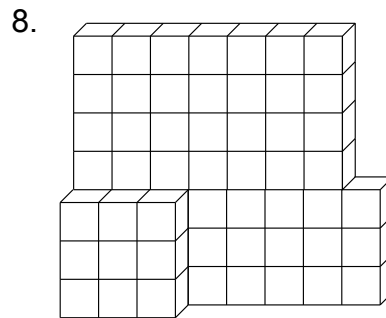
64 cubic units



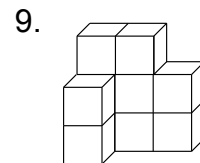
20 cubic units



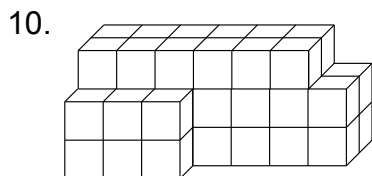
62 cubic units



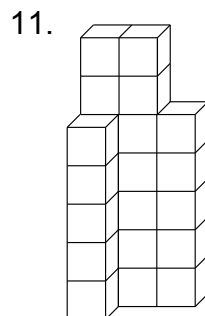
61 cubic units



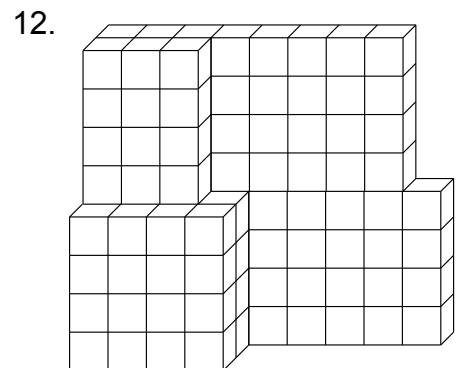
10 cubic units



46 cubic units



24 cubic units



112 cubic units