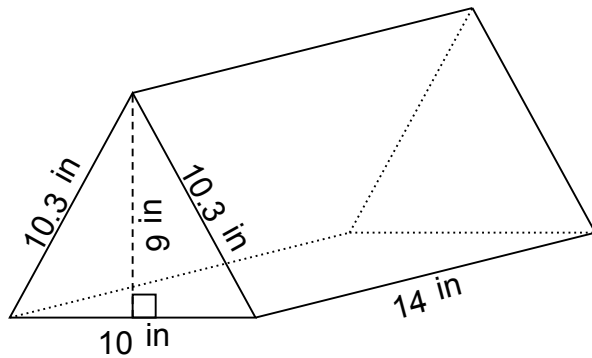




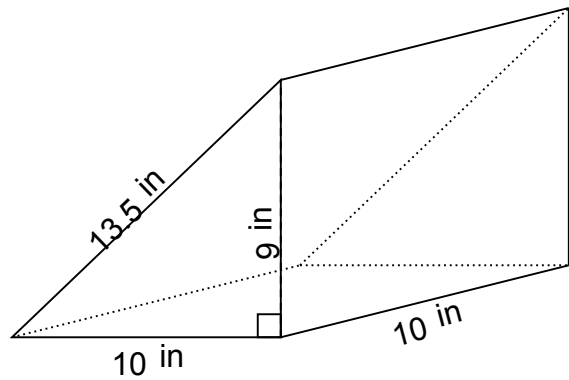
Name: _____

Calculate the Surface Area

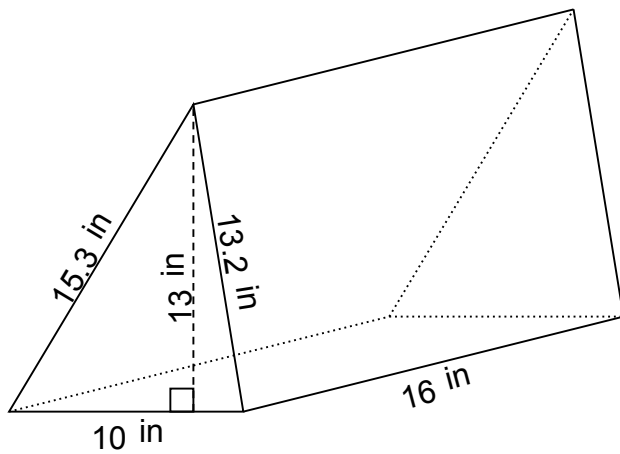
1.



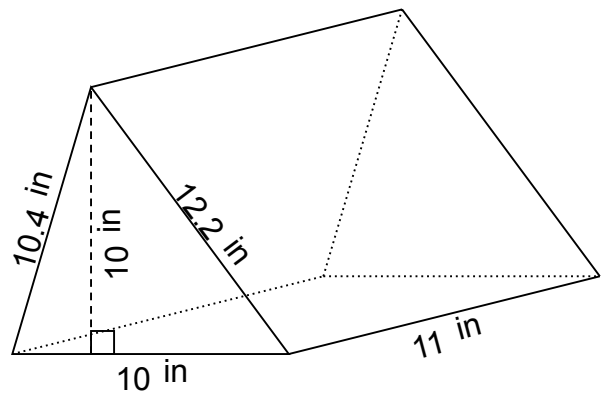
2.



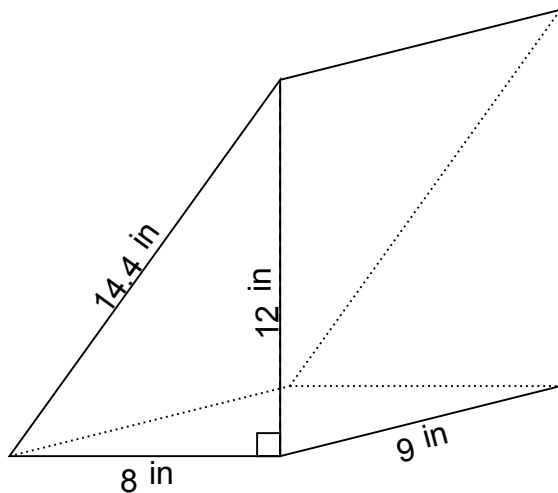
3.



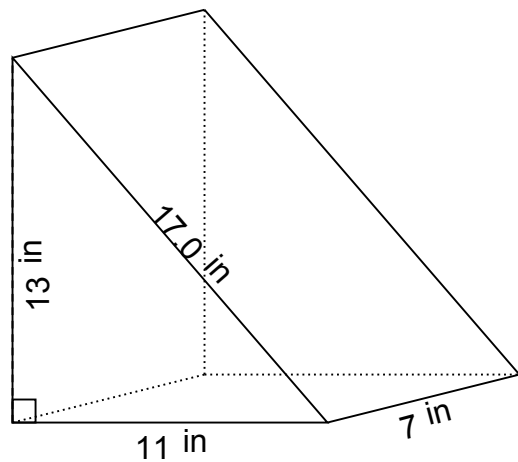
4.



5.



6.

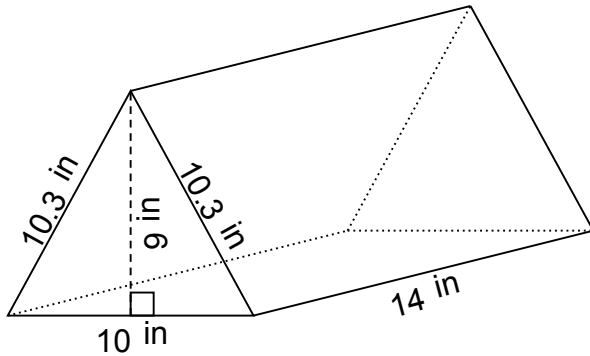




Name: _____

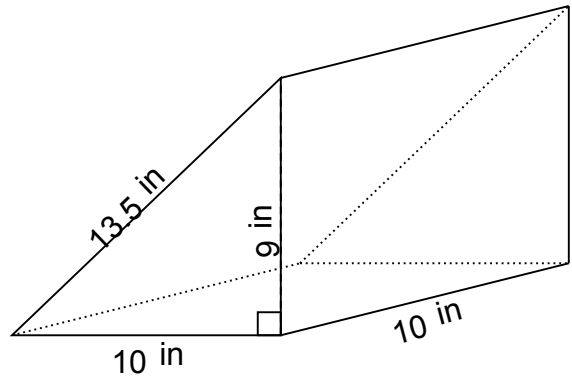
Calculate the Surface Area

1.



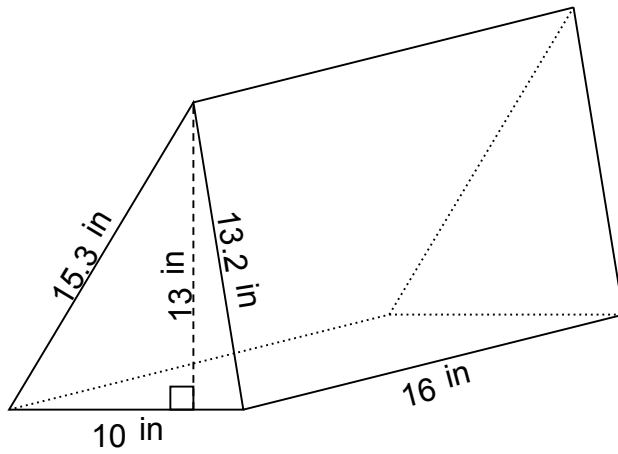
$$SA = 518.4 \text{ in}^2$$

2.



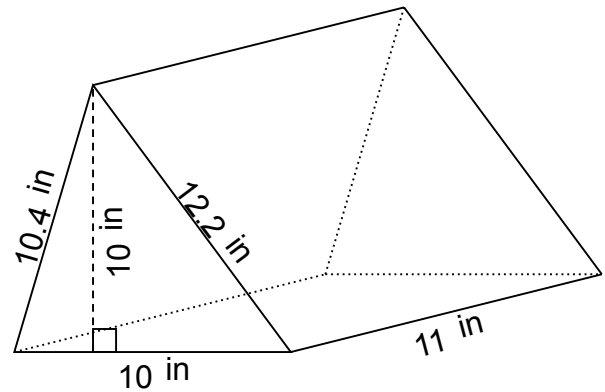
$$SA = 415.0 \text{ in}^2$$

3.



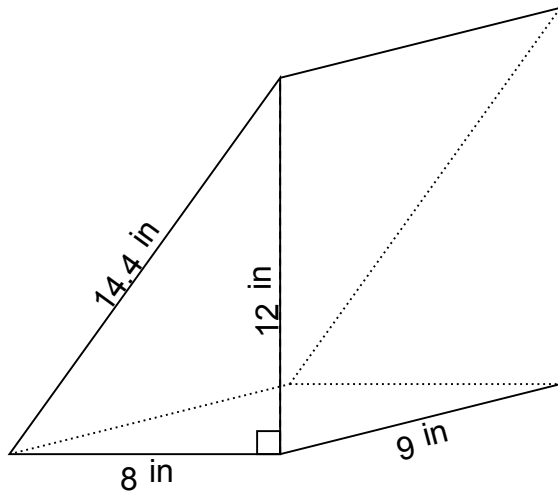
$$SA = 746.0 \text{ in}^2$$

4.



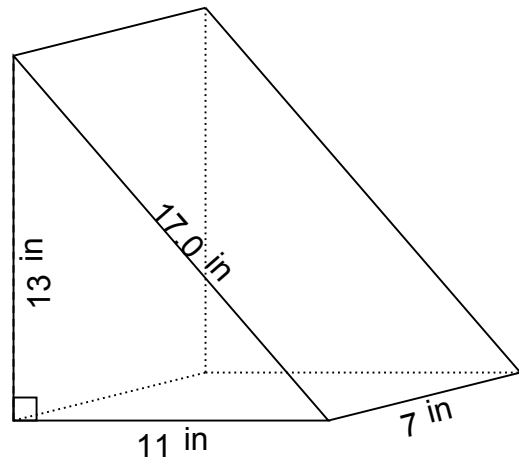
$$SA = 458.6 \text{ in}^2$$

5.



$$SA = 405.6 \text{ in}^2$$

6.



$$SA = 430.0 \text{ in}^2$$