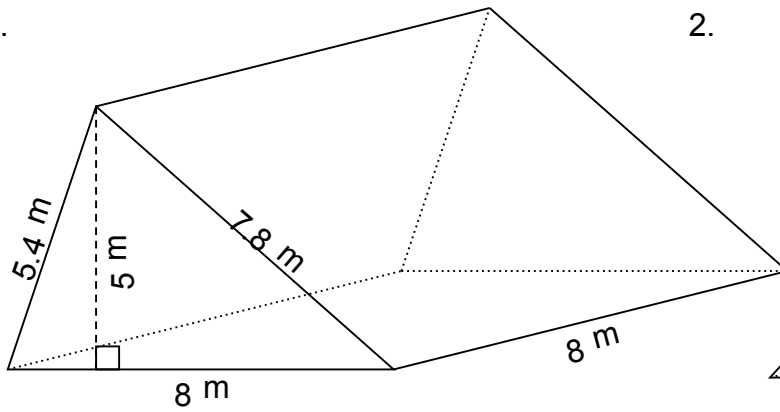




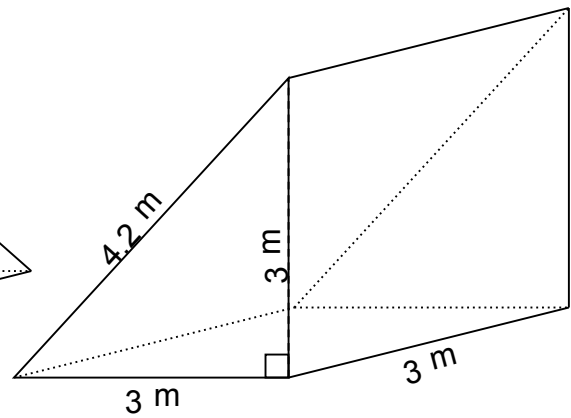
Name: \_\_\_\_\_

# Calculate the Surface Area

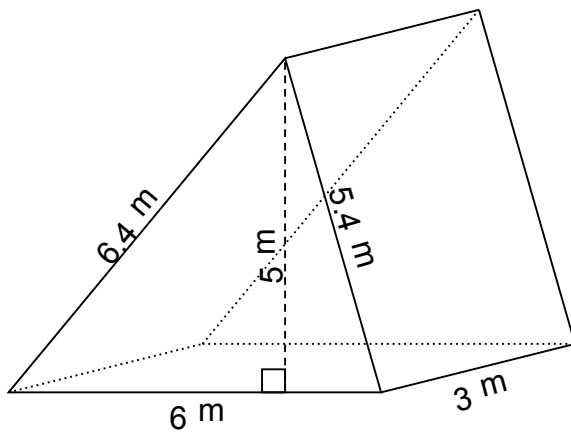
1.



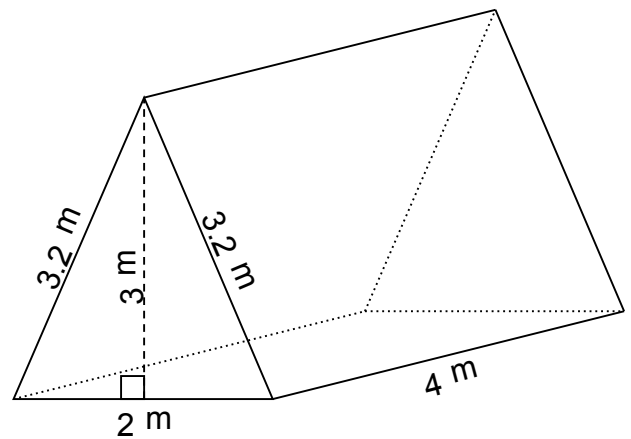
2.



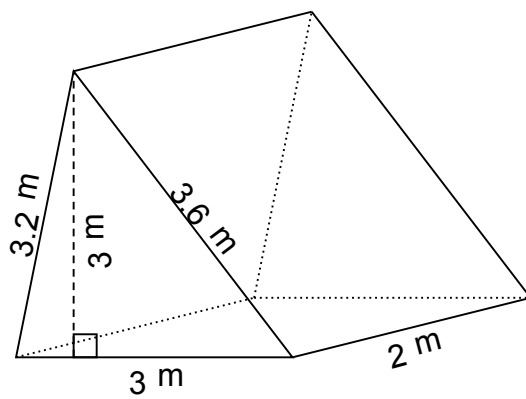
3.



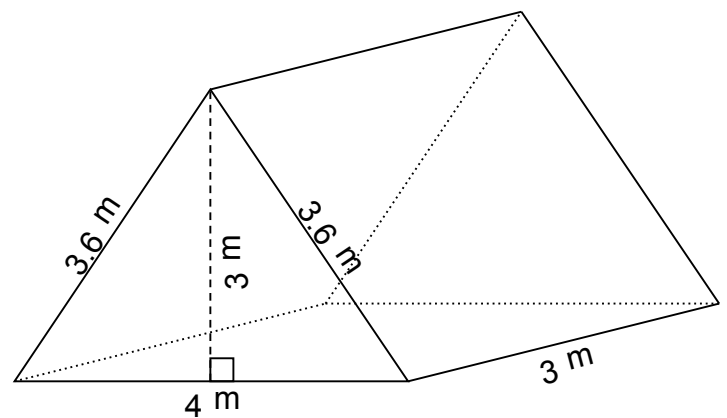
4.



5.



6.

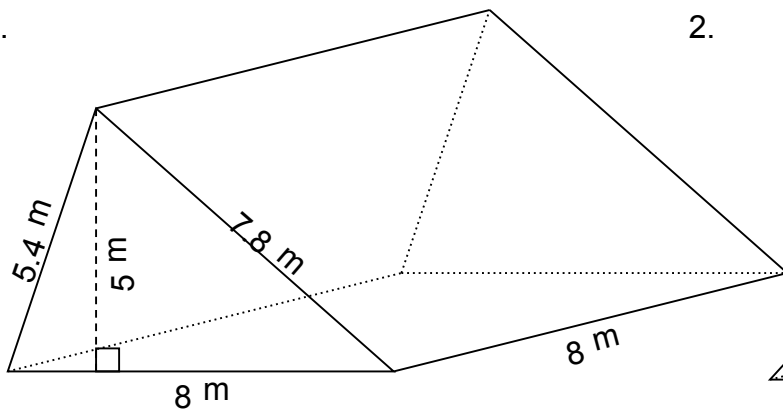




Name: \_\_\_\_\_

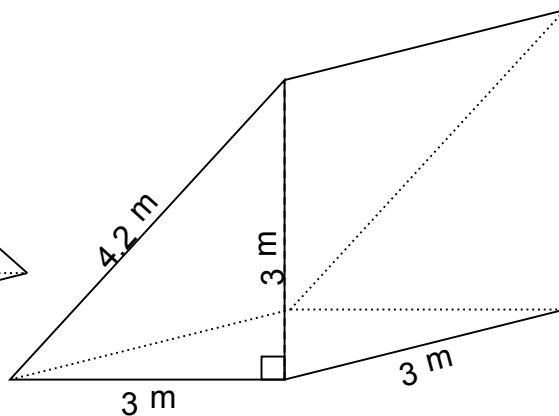
# Calculate the Surface Area

1.



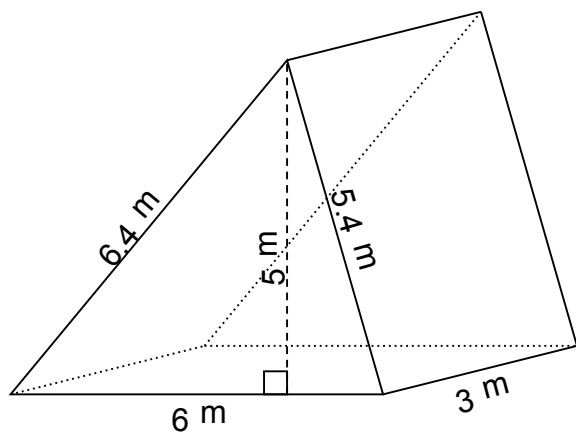
$$SA = 209.6 \text{ m}^2$$

2.



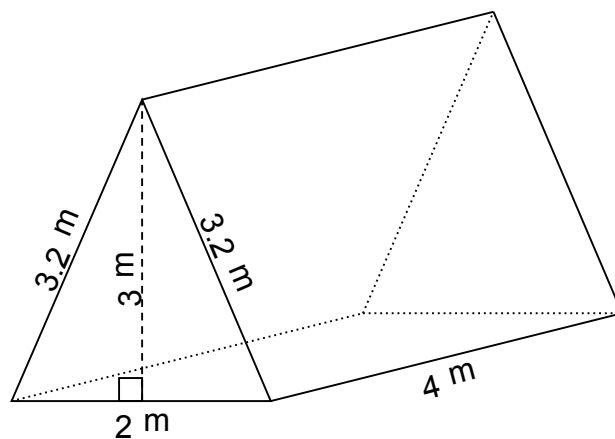
$$SA = 39.6 \text{ m}^2$$

3.



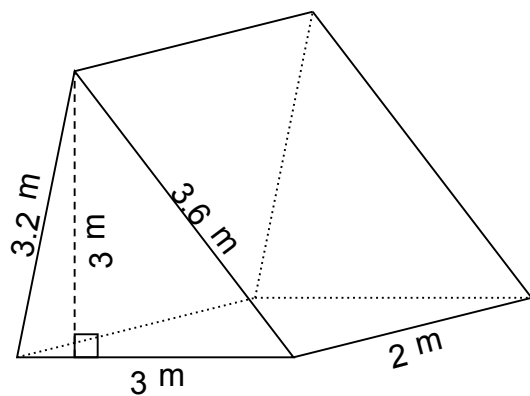
$$SA = 83.4 \text{ m}^2$$

4.



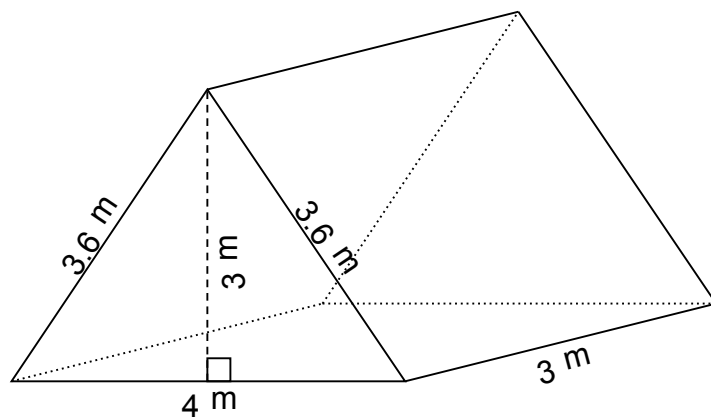
$$SA = 39.6 \text{ m}^2$$

5.



$$SA = 28.6 \text{ m}^2$$

6.



$$SA = 45.6 \text{ m}^2$$