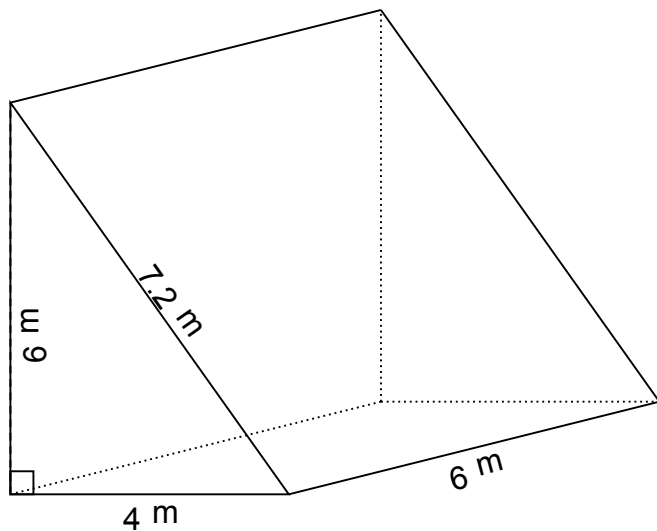




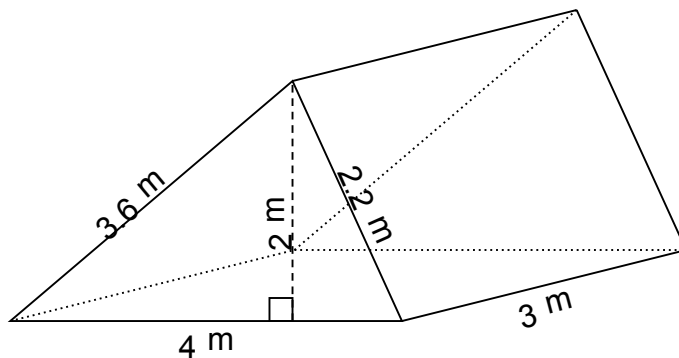
Name: _____

Calculate the Volume

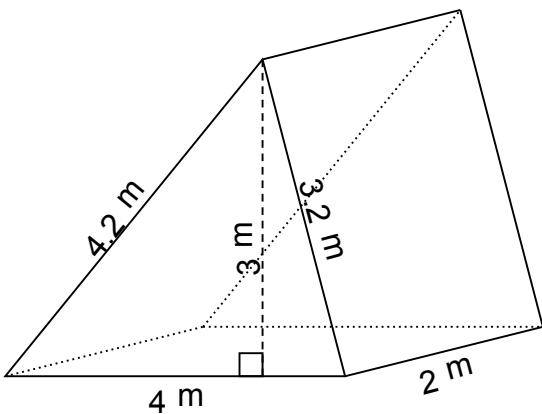
1.



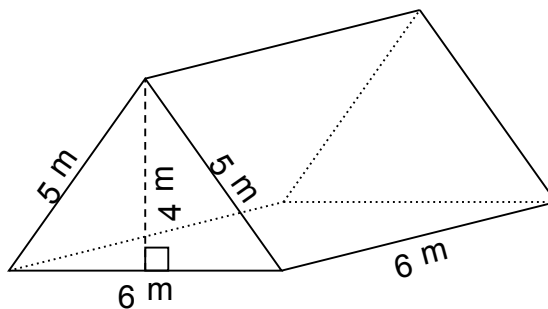
2.



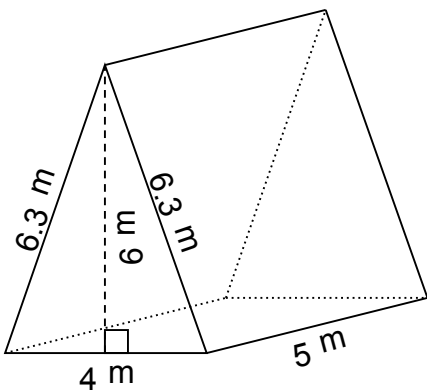
3.



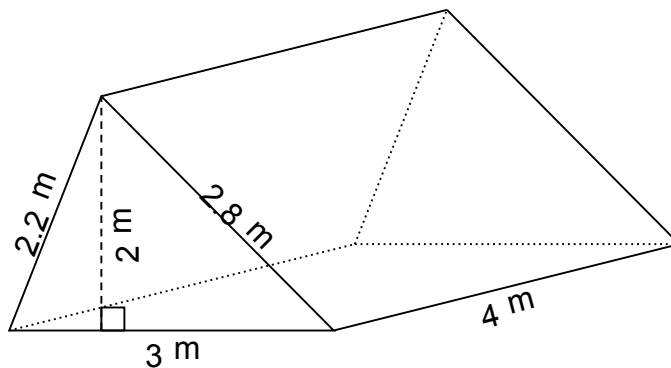
4.



5.



6.

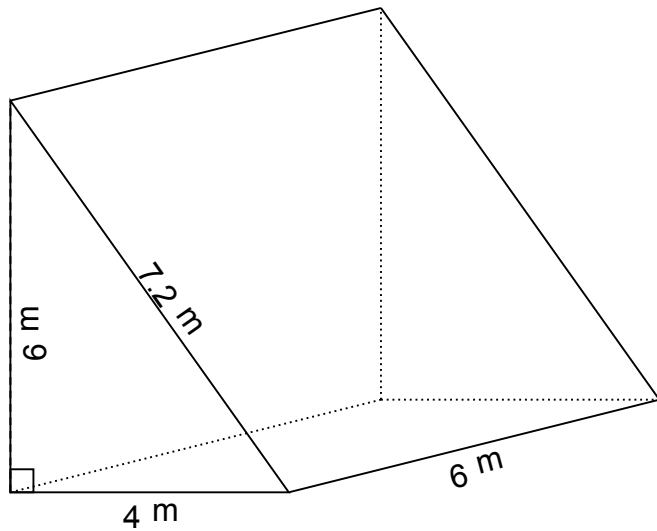




Name: _____

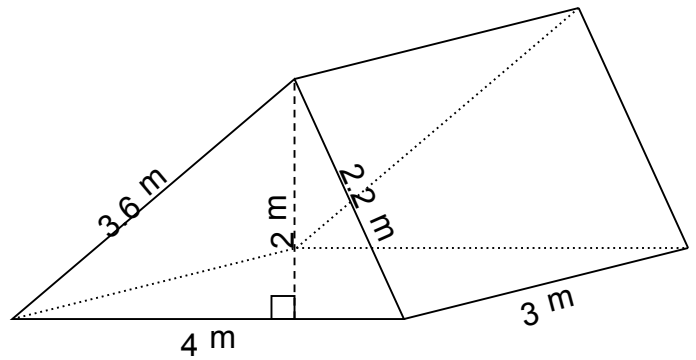
Calculate the Volume

1.



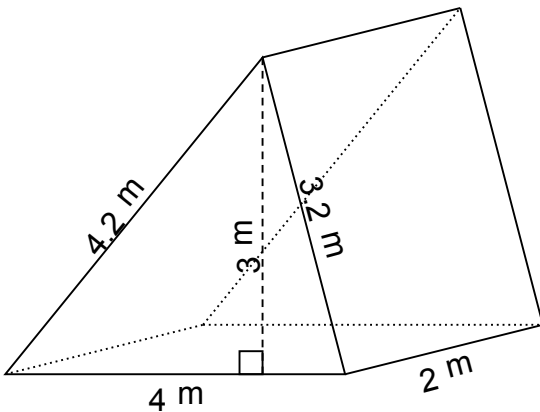
$$V = 72 \text{ m}^3$$

2.



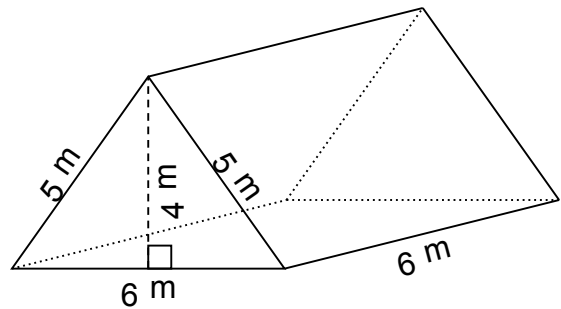
$$V = 12 \text{ m}^3$$

3.



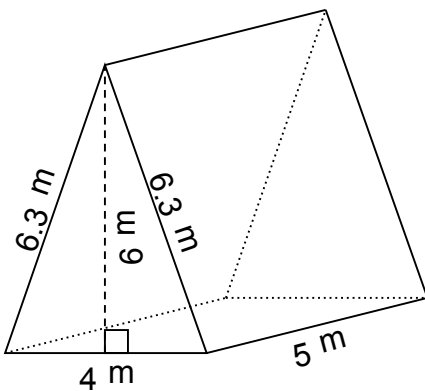
$$V = 12 \text{ m}^3$$

4.



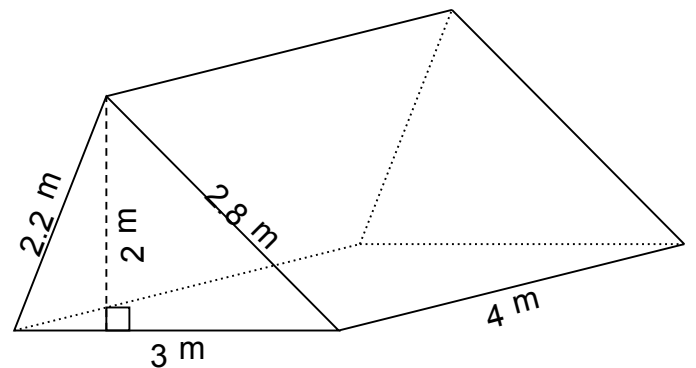
$$V = 72 \text{ m}^3$$

5.



$$V = 60 \text{ m}^3$$

6.



$$V = 12 \text{ m}^3$$