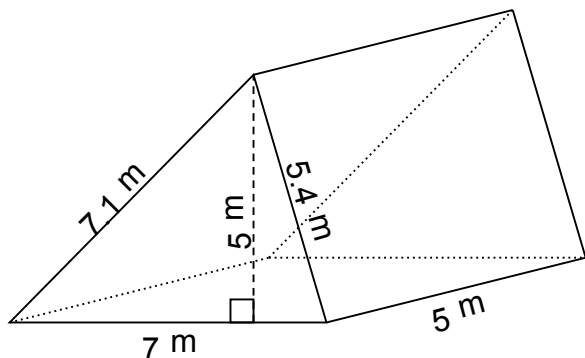




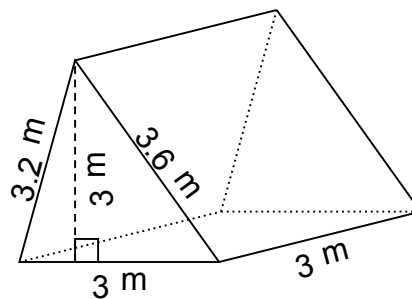
Name: \_\_\_\_\_

# Calculate the Volume

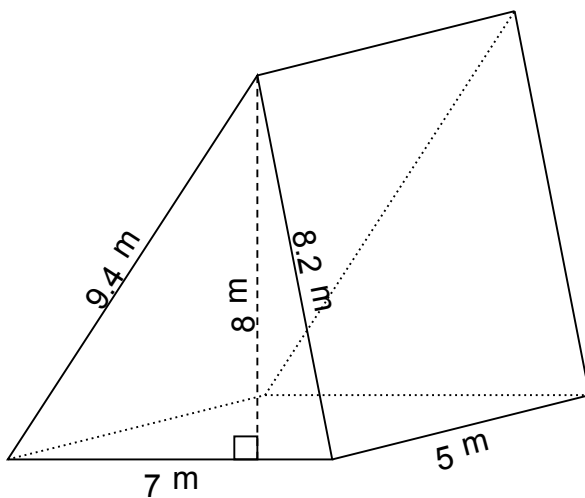
1.



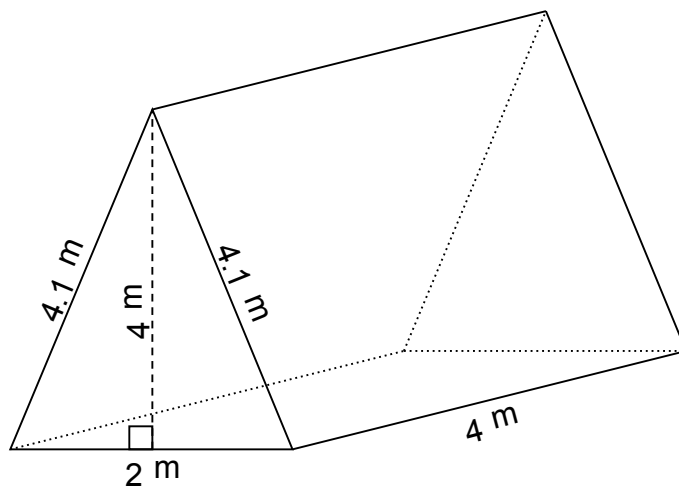
2.



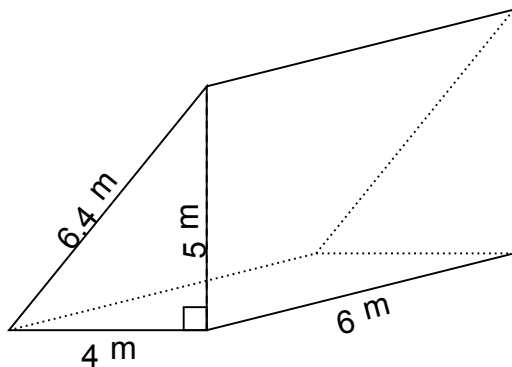
3.



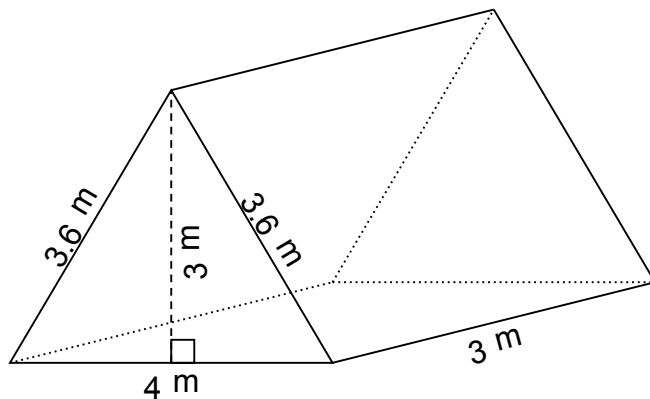
4.



5.



6.

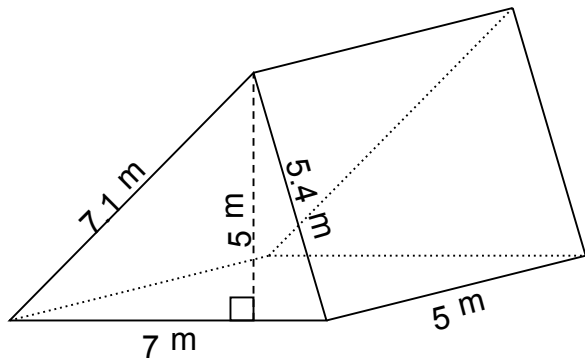




Name: \_\_\_\_\_

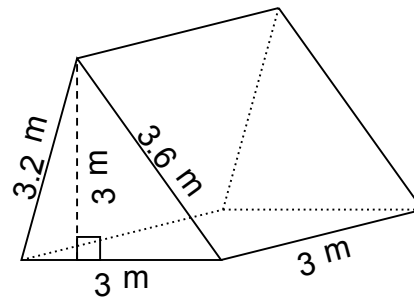
# Calculate the Volume

1.



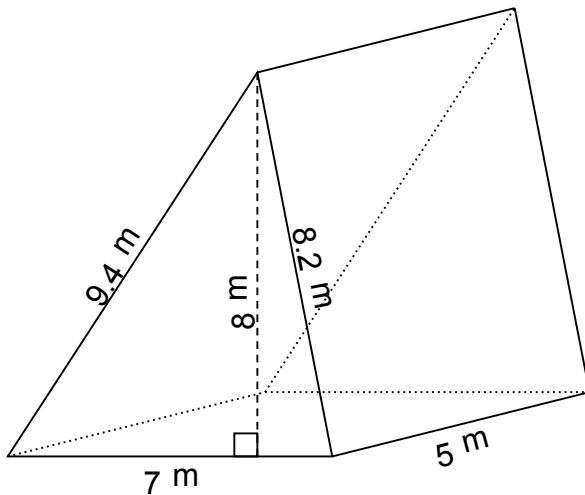
$$V = 88 \text{ m}^3$$

2.



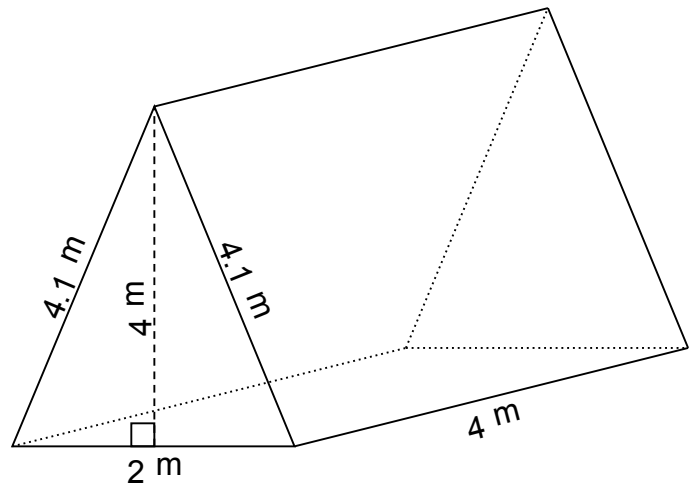
$$V = 14 \text{ m}^3$$

3.



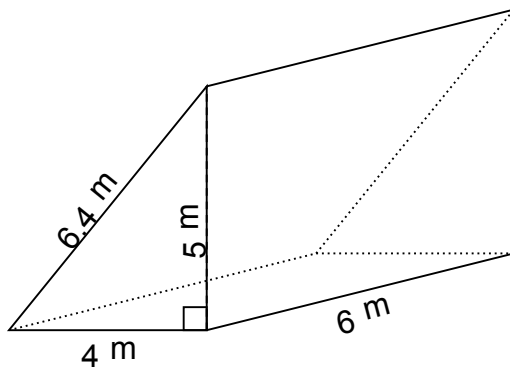
$$V = 140 \text{ m}^3$$

4.



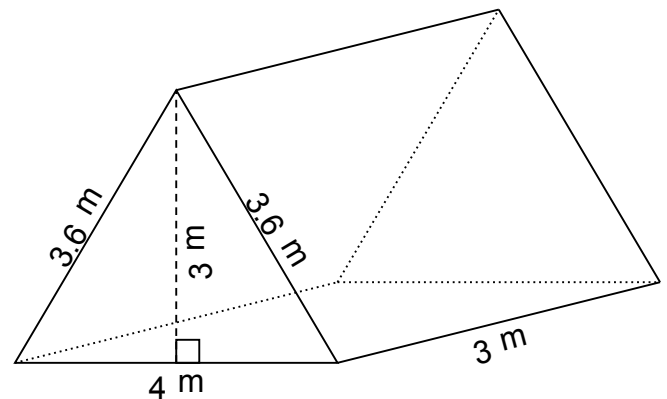
$$V = 16 \text{ m}^3$$

5.



$$V = 60 \text{ m}^3$$

6.



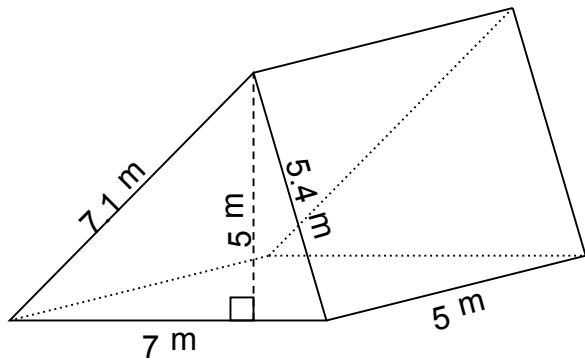
$$V = 18 \text{ m}^3$$



Name: \_\_\_\_\_

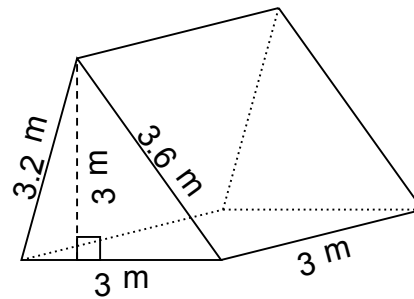
# Calculate the Volume

1.



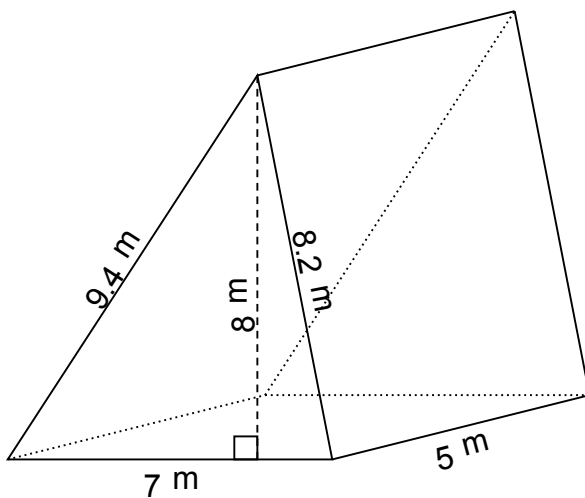
$$V = 88 \text{ m}^3$$

2.



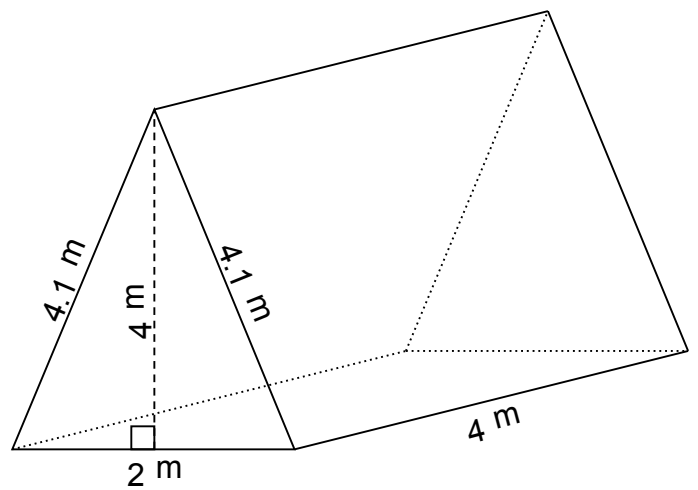
$$V = 14 \text{ m}^3$$

3.



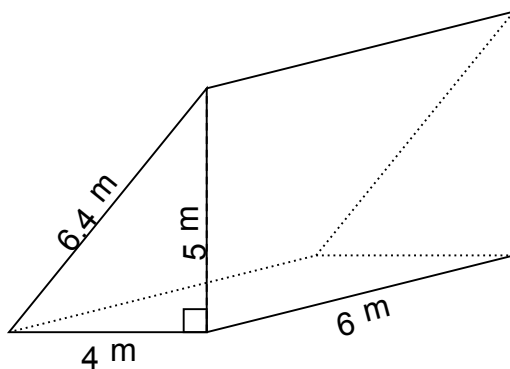
$$V = 140 \text{ m}^3$$

4.



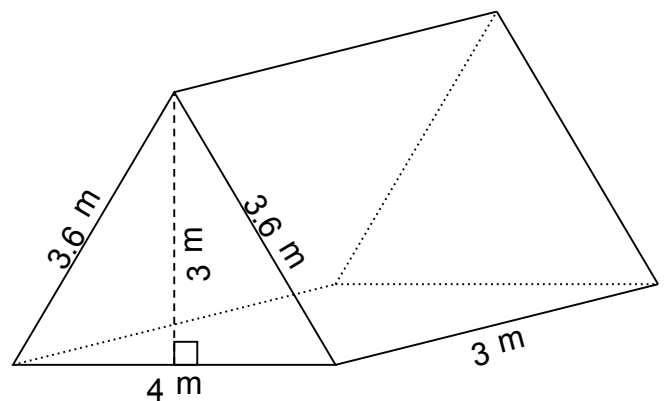
$$V = 16 \text{ m}^3$$

5.



$$V = 60 \text{ m}^3$$

6.



$$V = 18 \text{ m}^3$$