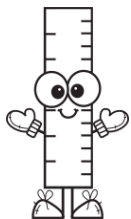


Name: _____

Find the Area of Trapezoids and Parallelograms

What is the area of each of the trapezoids and parallelograms? Answer using the correct units.

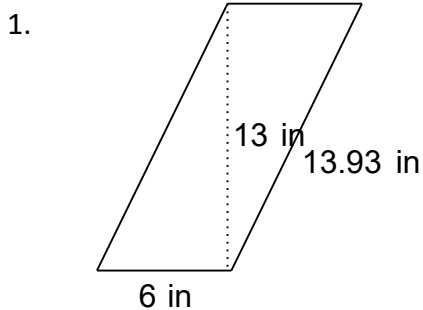
1. 6 in , 13 in , 13.93 in
2. 10 in , 4 in , 6 in , 7.48 in , 6.80 in
3. 1 yd , 5 yd , 5.53 yd , 5.64 yd , 5 yd
4. 11 mm , 8 mm , 9.10 mm
5. 10 yd , 7 yd , 9.03 yd
6. 7 yd , 6 yd , 9.16 yd
7. 6 cm , 3 cm , 6 cm , 5.60 cm , 5.85 cm
8. 9 m , 3 m , 5 m , 5.48 m , 6.15 m
9. 8 cm , 6 cm , 8.36 cm
10. 3 cm , 12 cm , 6 cm , 7.64 cm , 6.89 cm



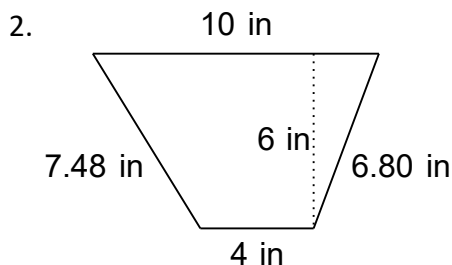
Name: _____

Find the Area of Trapezoids and Parallelograms

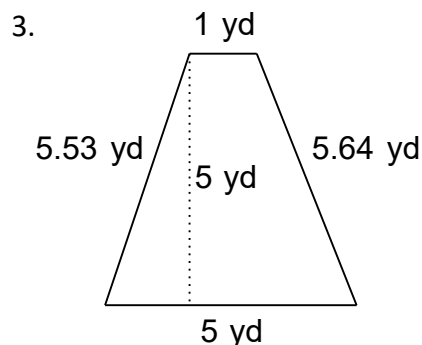
What is the area of each of the trapezoids and parallelograms? Answer using the correct units.



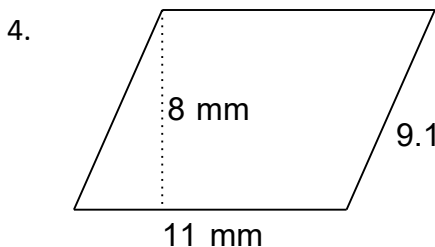
$A = 78 \text{ in}^2$



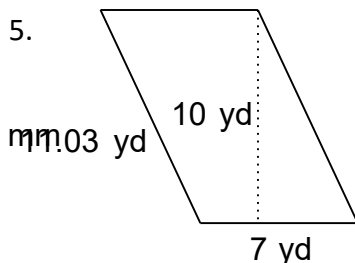
$A = 42 \text{ in}^2$



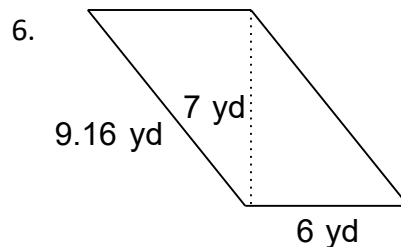
$A = 15 \text{ yd}^2$



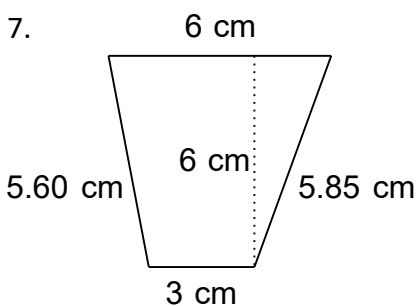
$A = 88 \text{ mm}^2$



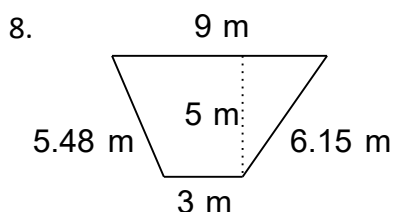
$A = 70 \text{ yd}^2$



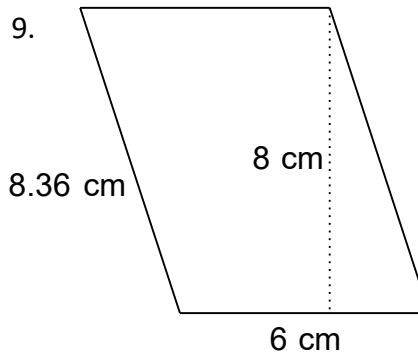
$A = 42 \text{ yd}^2$



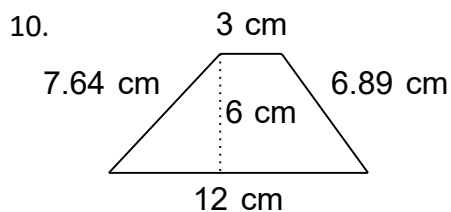
$A = 27 \text{ cm}^2$



$A = 30 \text{ m}^2$



$A = 48 \text{ cm}^2$



$A = 45 \text{ cm}^2$