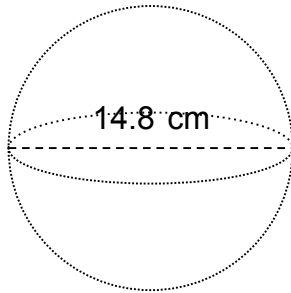




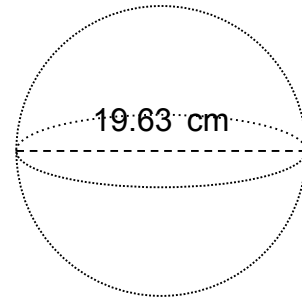
Name: \_\_\_\_\_

# Calculate the Area

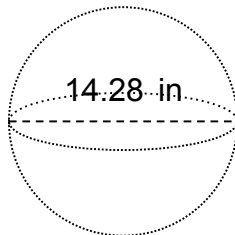
1.



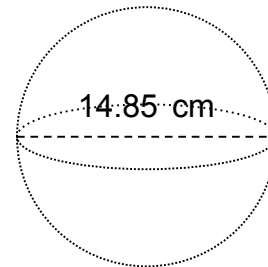
2.



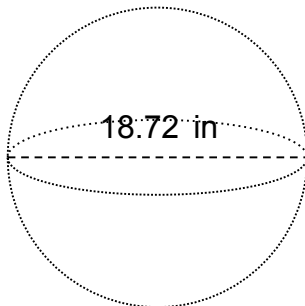
3.



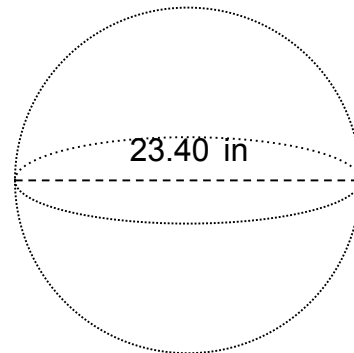
4.



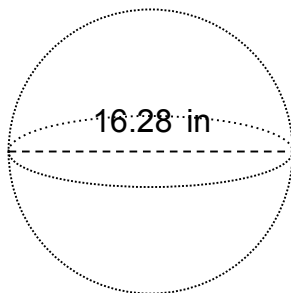
5.



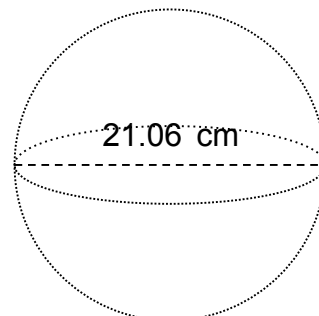
6.



7.



8.

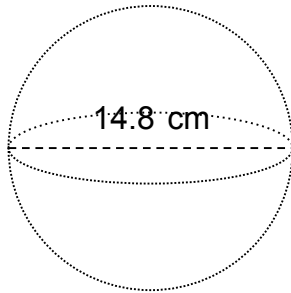




Name: \_\_\_\_\_

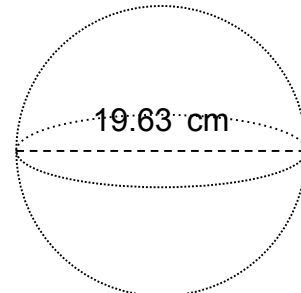
# Calculate the Area

1.



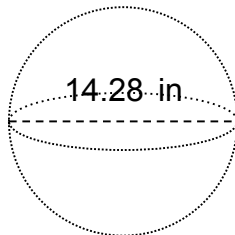
$$SA = 688.13 \text{ cm}^2$$

2.



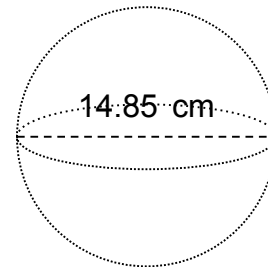
$$SA = 1,210.57 \text{ cm}^2$$

3.



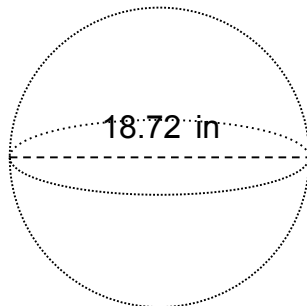
$$SA = 640.63 \text{ in}^2$$

4.



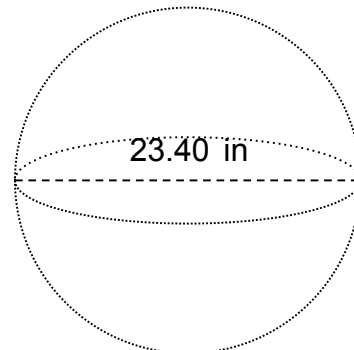
$$SA = 692.79 \text{ cm}^2$$

5.



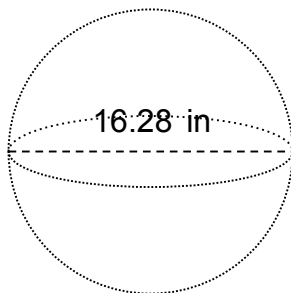
$$SA = 1,100.93 \text{ in}^2$$

6.



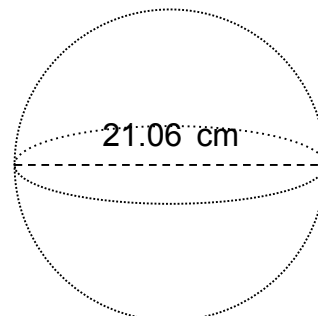
$$SA = 1,720.21 \text{ in}^2$$

7.



$$SA = 832.64 \text{ in}^2$$

8.



$$SA = 1,393.37 \text{ cm}^2$$