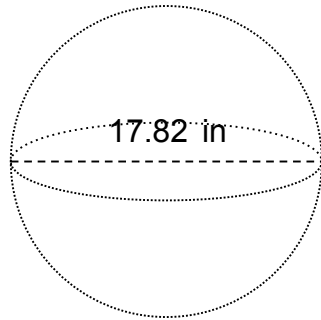




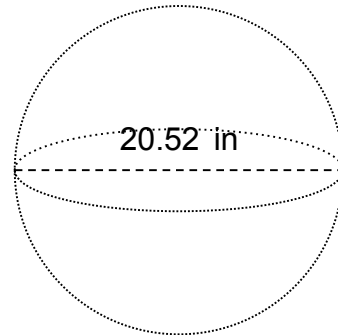
Name: _____

Calculate the Area

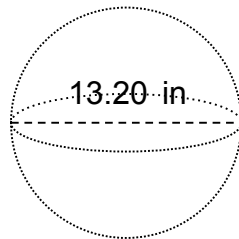
1.



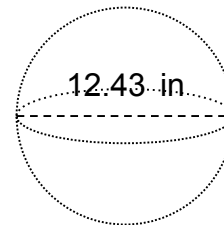
2.



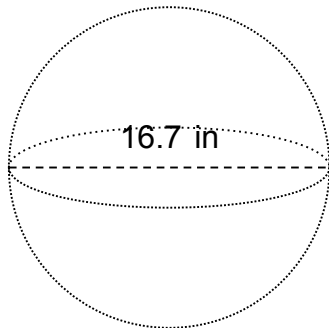
3.



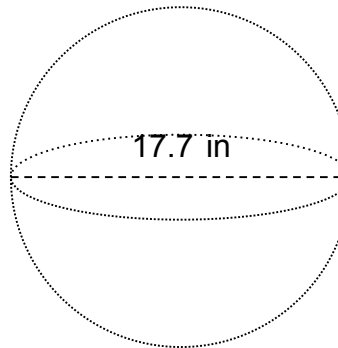
4.



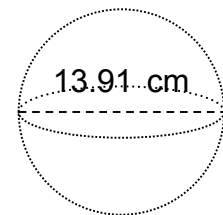
5.



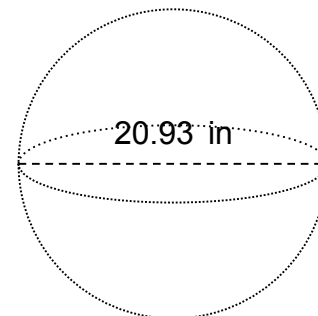
6.



7.



8.

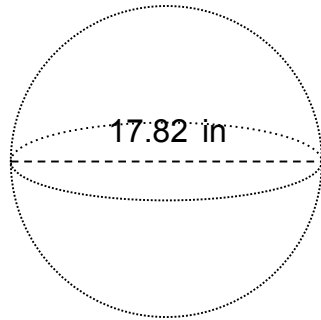




Name: _____

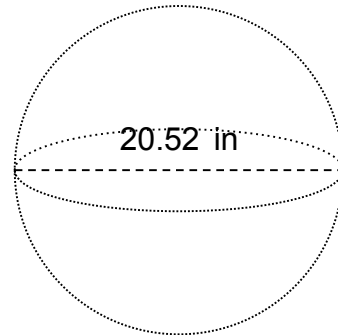
Calculate the Area

1.



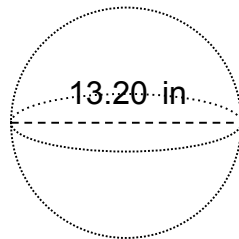
$$SA = 997.62 \text{ in}^2$$

2.



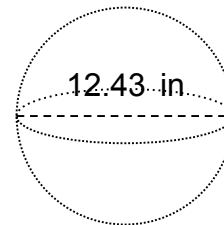
$$SA = 1,322.83 \text{ in}^2$$

3.



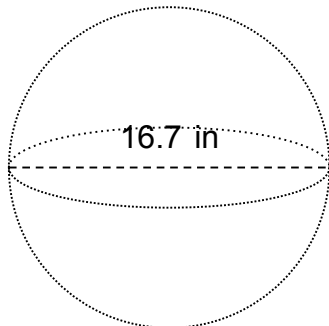
$$SA = 547.39 \text{ in}^2$$

4.



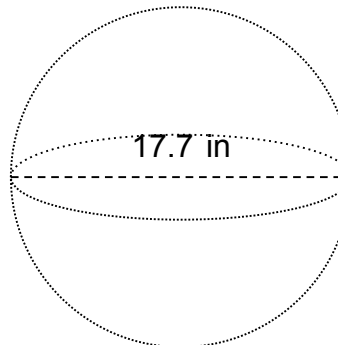
$$SA = 485.39 \text{ in}^2$$

5.



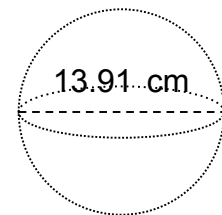
$$SA = 876.16 \text{ in}^2$$

6.



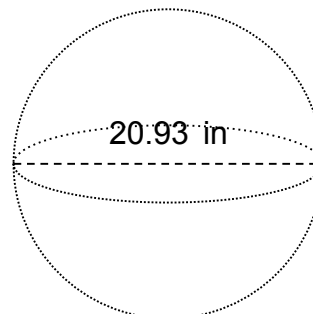
$$SA = 984.23 \text{ in}^2$$

7.



$$SA = 607.86 \text{ cm}^2$$

8.



$$SA = 1,376.22 \text{ in}^2$$