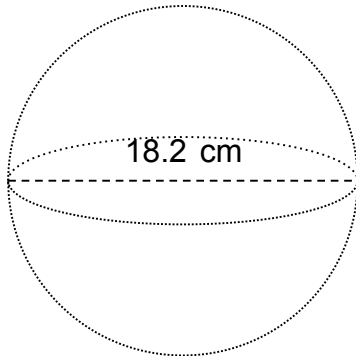




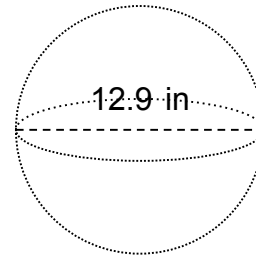
Name: _____

Calculate the Area

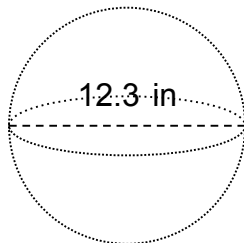
1.



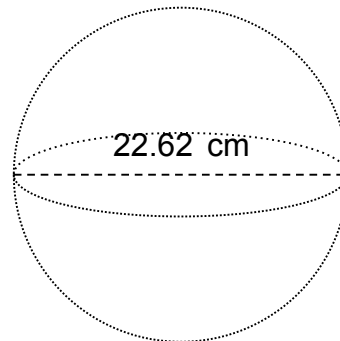
2.



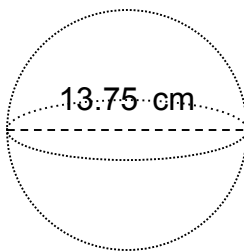
3.



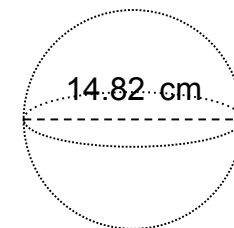
4.



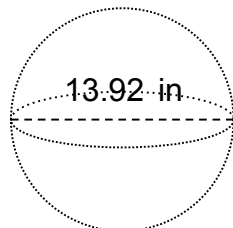
5.



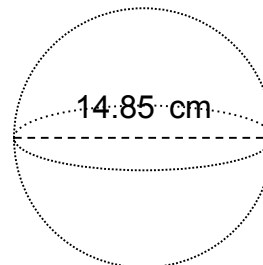
6.



7.



8.

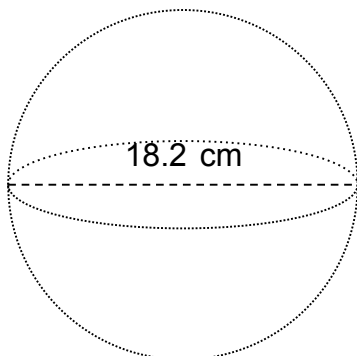




Name: _____

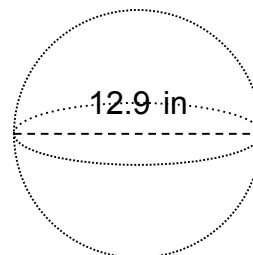
Calculate the Area

1.



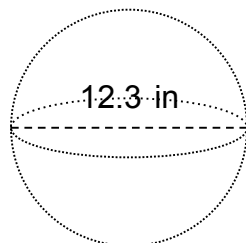
$$SA = 1,040.62 \text{ cm}^2$$

2.



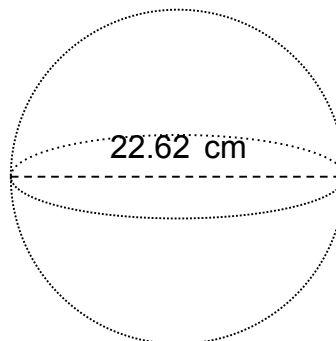
$$SA = 522.79 \text{ in}^2$$

3.



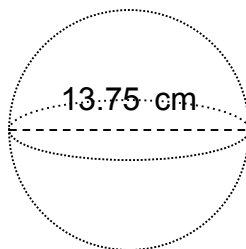
$$SA = 475.29 \text{ in}^2$$

4.



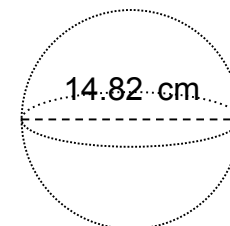
$$SA = 1,607.44 \text{ cm}^2$$

5.



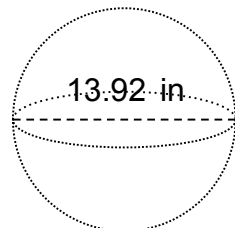
$$SA = 593.96 \text{ cm}^2$$

6.



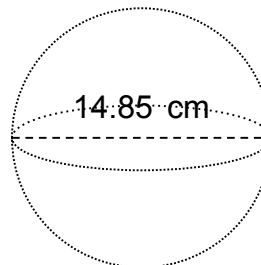
$$SA = 690.00 \text{ cm}^2$$

7.



$$SA = 608.74 \text{ in}^2$$

8.



$$SA = 692.79 \text{ cm}^2$$