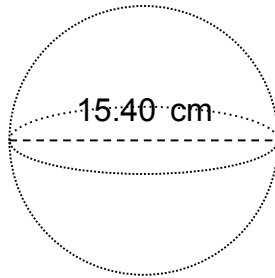




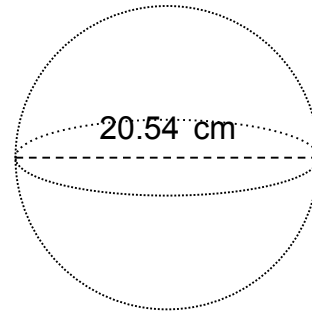
Name: _____

Calculate the Area

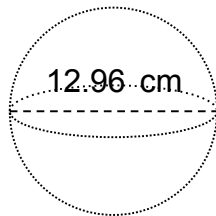
1.



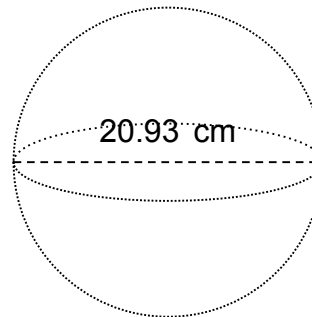
2.



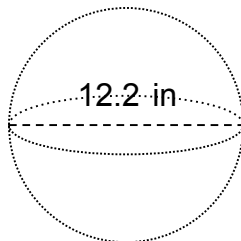
3.



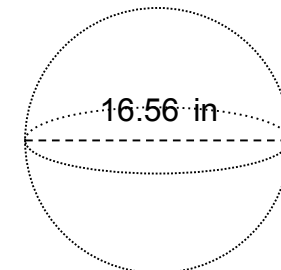
4.



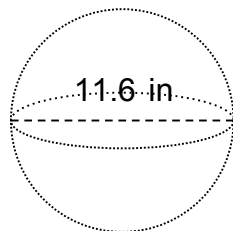
5.



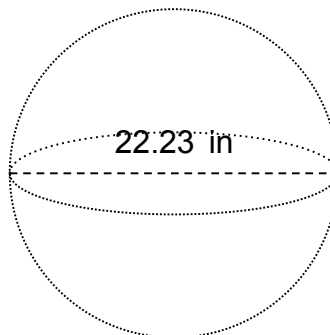
6.



7.



8.

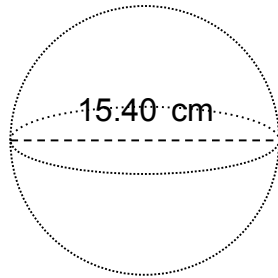




Name: _____

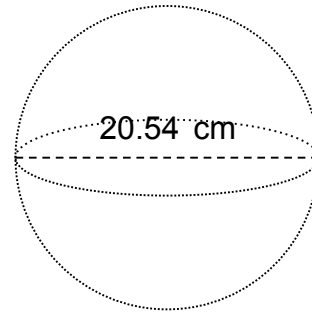
Calculate the Area

1.



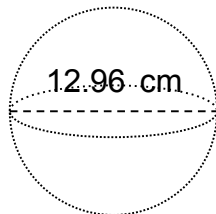
$$SA = 745.06 \text{ cm}^2$$

2.



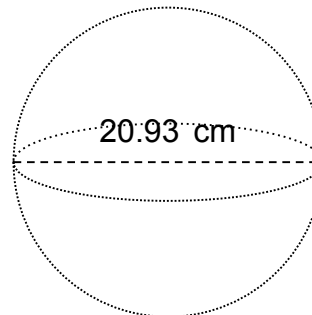
$$SA = 1,325.41 \text{ cm}^2$$

3.



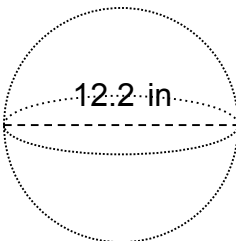
$$SA = 527.67 \text{ cm}^2$$

4.



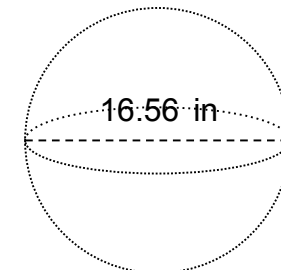
$$SA = 1,376.22 \text{ cm}^2$$

5.



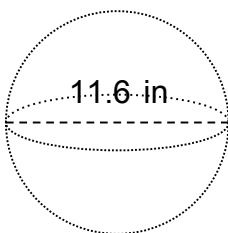
$$SA = 467.59 \text{ in}^2$$

6.



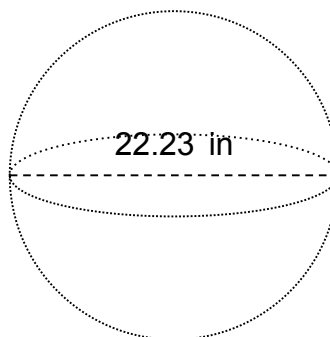
$$SA = 861.53 \text{ in}^2$$

7.



$$SA = 422.73 \text{ in}^2$$

8.



$$SA = 1,552.49 \text{ in}^2$$