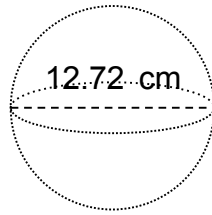




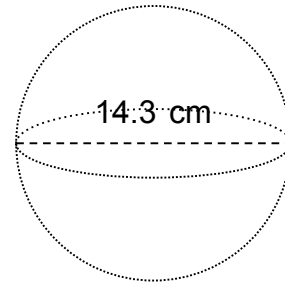
Name: _____

Calculate the Area

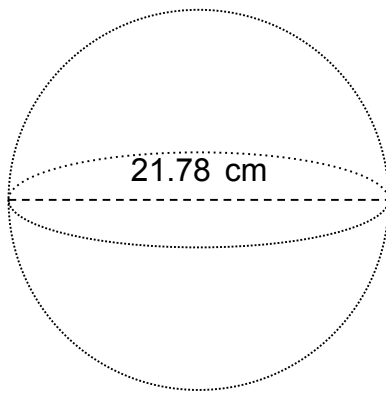
1.



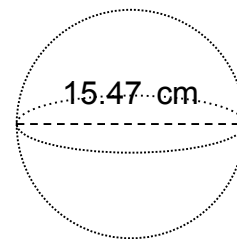
2.



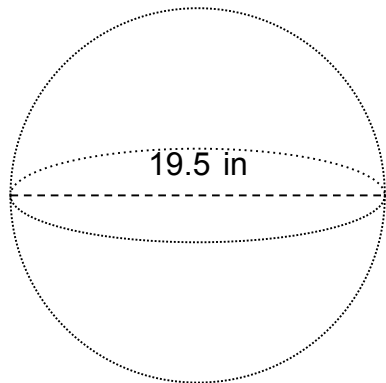
3.



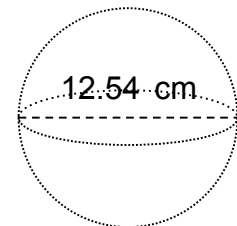
4.



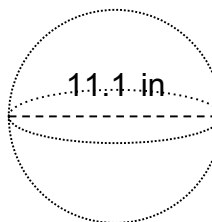
5.



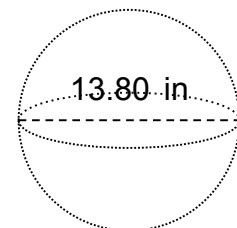
6.



7.



8.

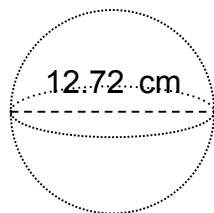




Name: _____

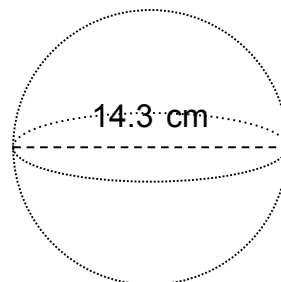
Calculate the Area

1.



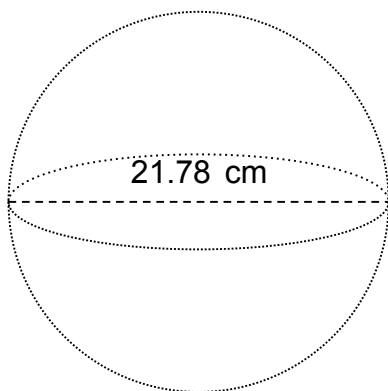
$$SA = 508.30 \text{ cm}^2$$

2.



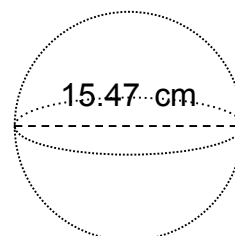
$$SA = 642.42 \text{ cm}^2$$

3.



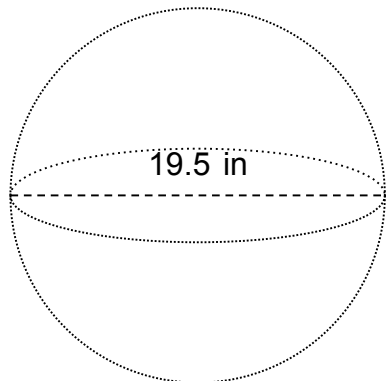
$$SA = 1,490.27 \text{ cm}^2$$

4.



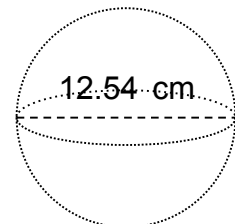
$$SA = 751.85 \text{ cm}^2$$

5.



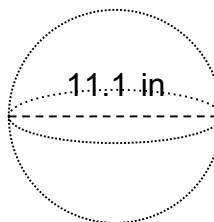
$$SA = 1,194.59 \text{ in}^2$$

6.



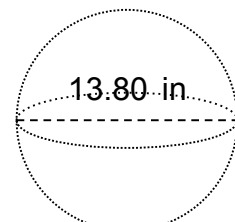
$$SA = 494.02 \text{ cm}^2$$

7.



$$SA = 387.08 \text{ in}^2$$

8.



$$SA = 598.28 \text{ in}^2$$