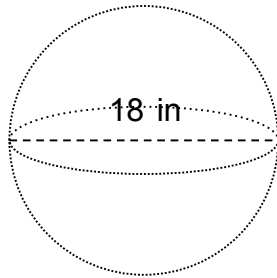




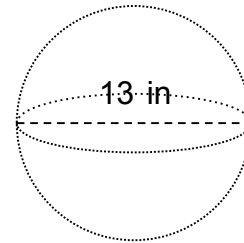
Name: _____

Calculate the Area

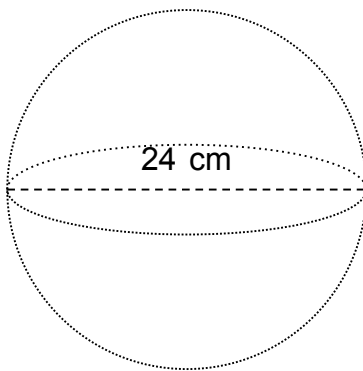
1.



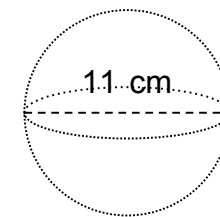
2.



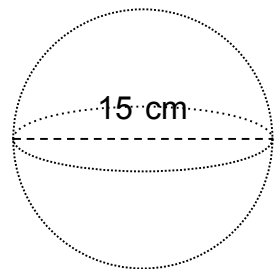
3.



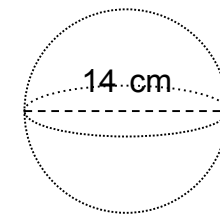
4.



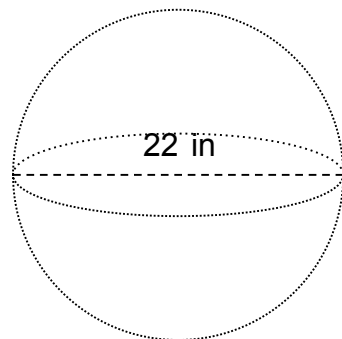
5.



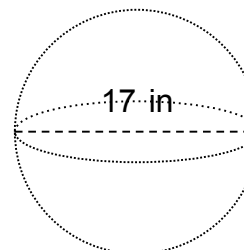
6.



7.



8.

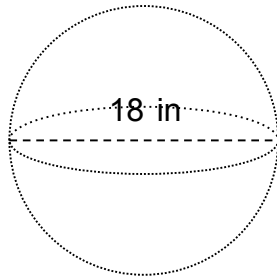




Name: _____

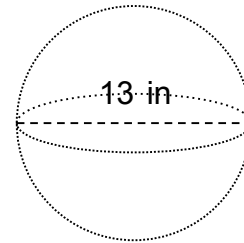
Calculate the Area

1.



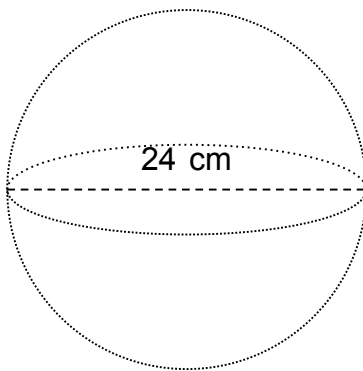
$$SA = 1,018 \text{ in}^2$$

2.



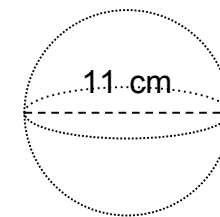
$$SA = 531 \text{ in}^2$$

3.



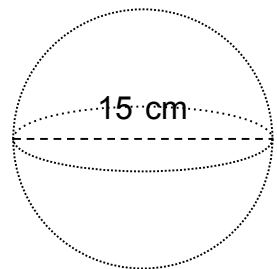
$$SA = 1,810 \text{ cm}^2$$

4.



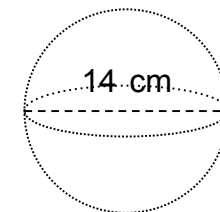
$$SA = 380 \text{ cm}^2$$

5.



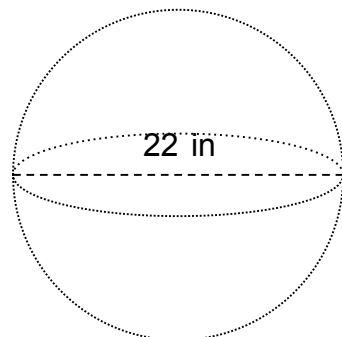
$$SA = 707 \text{ cm}^2$$

6.



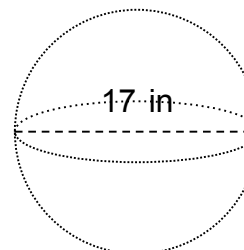
$$SA = 616 \text{ cm}^2$$

7.



$$SA = 1,521 \text{ in}^2$$

8.



$$SA = 908 \text{ in}^2$$