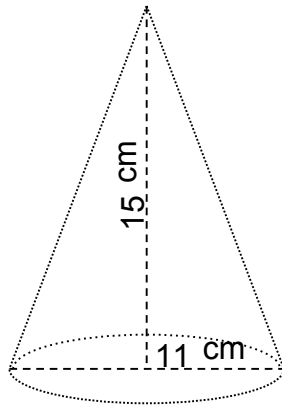




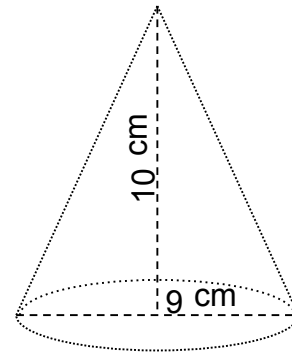
Name: _____

Calculate the Surface Area

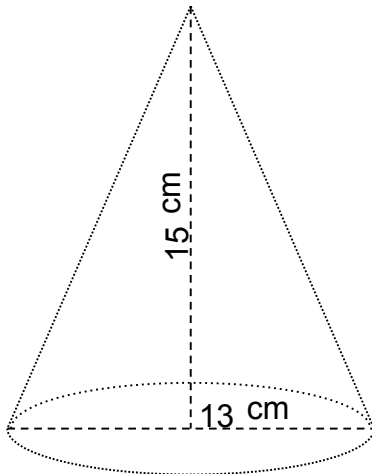
1.



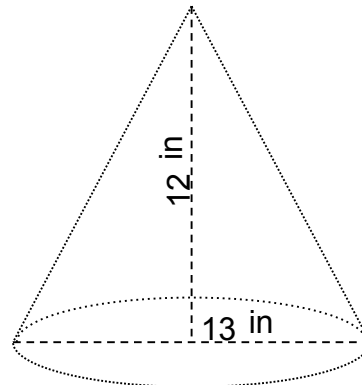
2.



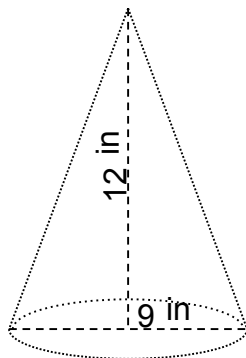
3.



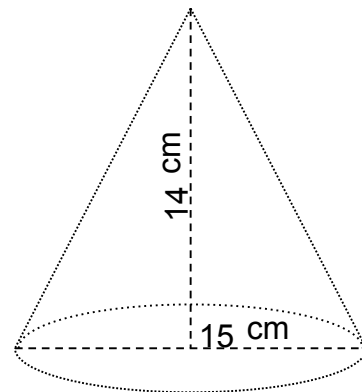
4.



5.



6.

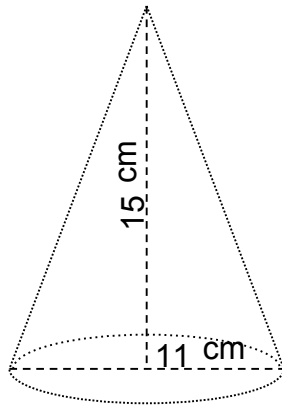




Name: _____

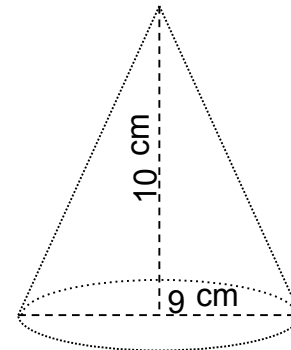
Calculate the Surface Area

1.



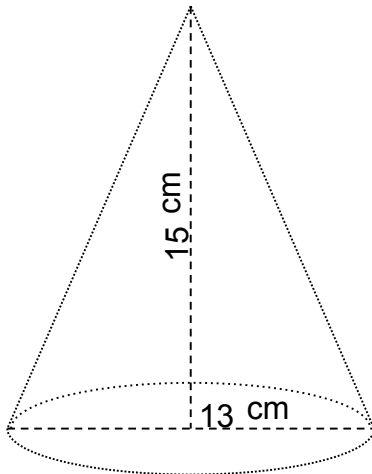
$$SA = 371 \text{ cm}^2$$

2.



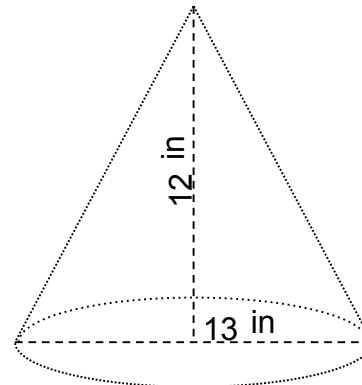
$$SA = 219 \text{ cm}^2$$

3.



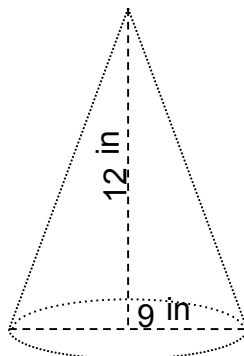
$$SA = 467 \text{ cm}^2$$

4.



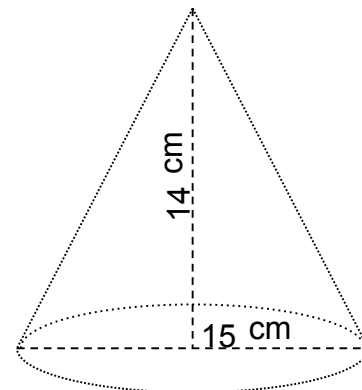
$$SA = 411 \text{ in}^2$$

5.



$$SA = 245 \text{ in}^2$$

6.



$$SA = 551 \text{ cm}^2$$