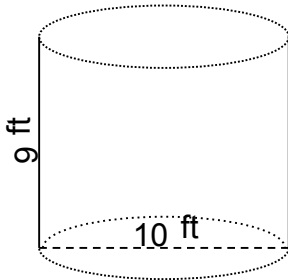




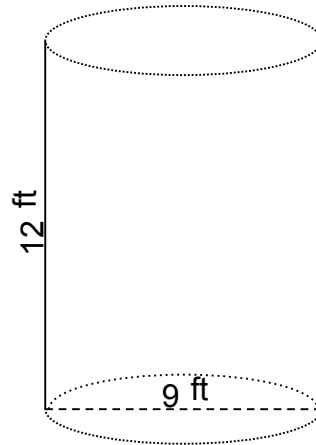
Name: _____

Calculate the Surface Area

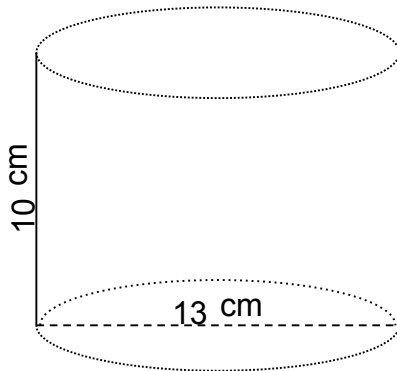
1.



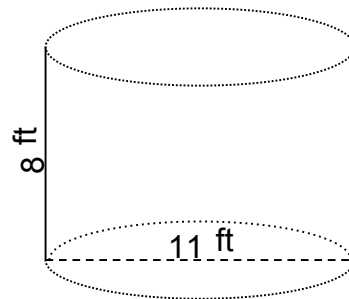
2.



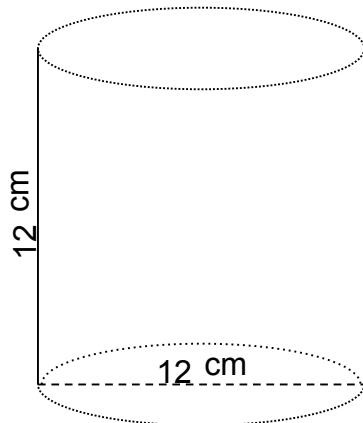
3.



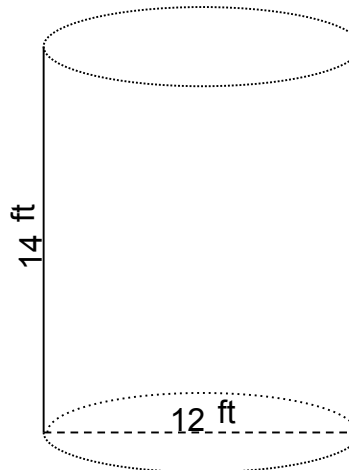
4.



5.



6.

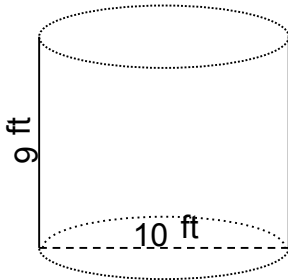




Name: _____

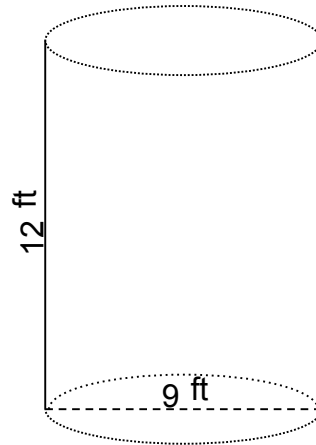
Calculate the Surface Area

1.



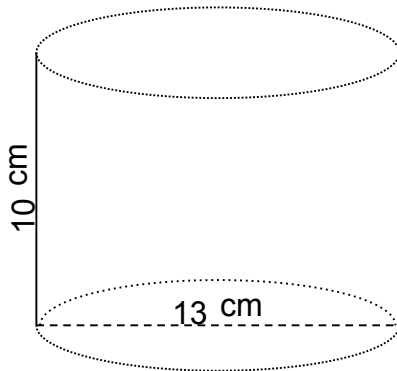
$$SA = 440 \text{ ft}^2$$

2.



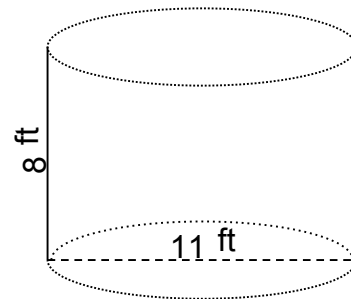
$$SA = 467 \text{ ft}^2$$

3.



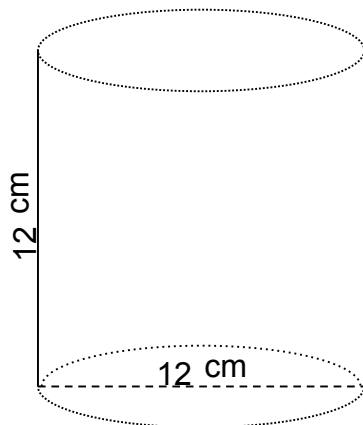
$$SA = 674 \text{ cm}^2$$

4.



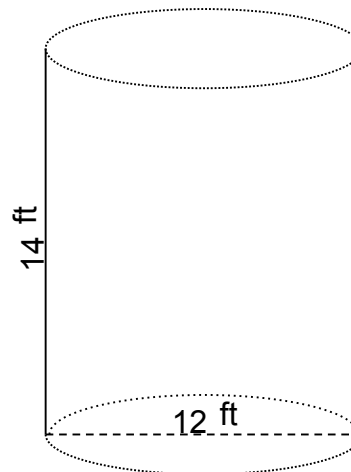
$$SA = 467 \text{ ft}^2$$

5.



$$SA = 679 \text{ cm}^2$$

6.



$$SA = 754 \text{ ft}^2$$